

# ENGINEERING DRAWING

## (NSQF)

(As per Revised Syllabus July 2022)

Group 12

Mason



Directorate General of Training

DIRECTORATE GENERAL OF TRAINING  
MINISTRY OF SKILL DEVELOPMENT & ENTREPRENEURSHIP  
GOVERNMENT OF INDIA



**NATIONAL INSTRUCTIONAL  
MEDIA INSTITUTE, CHENNAI**

Post Box No. 3142, CTI Campus, Guindy, Chennai - 600 032

**Engineering Drawing (NSQF) 1 Year**  
**Group 12 Engineering Trades**  
**As per Revised syllabus July 2022 under CTS**

**Developed & Published by**



**National Instructional Media Institute**

Post Box No.3142  
Guindy, Chennai - 600032  
INDIA  
Email: [chennai-nimi@nic.in](mailto:chennai-nimi@nic.in)  
Website: [www.nimi.gov.in](http://www.nimi.gov.in)

Copyright © 2022 National Instructional Media Institute, Chennai

First Edition : September 2022

Copies : 1000

**Rs.65/-**

All rights reserved.

No part of this publication can be reproduced or transmitted in any form or by any means, electronic or mechanical, including photocopy, recording or any information storage and retrieval system, without permission in writing from the National Instructional Media Institute, Chennai.

## FOREWORD

The Government of India has set an ambitious target of imparting skills to 30 crores people, one out of every four Indians, by 2020 to help them secure jobs as part of the National Skills Development Policy. Industrial Training Institutes (ITIs) play a vital role in this process especially in terms of providing skilled manpower. Keeping this in mind, and for providing the current industry relevant skill training to Trainees, ITI syllabus has been recently updated with the help of comprising various stakeholder's viz. Industries, Entrepreneurs, Academicians and representatives from ITIs.

The National Instructional Media Institute (NIMI), Chennai, has now come up with instructional material to suit the revised curriculum for **Engineering Drawing NSQF Group 12 Engineering Trades (Revised 2022)** under CTS will help the trainees to get an international equivalency standard where their skill proficiency and competency will be duly recognized across the globe and this will also increase the scope of recognition of prior learning. NSQF trainees will also get the opportunities to promote life long learning and skill development. I have no doubt that with NSQF the trainers and trainees of ITIs, and all stakeholders will derive maximum benefits from these IMPs and that NIMI's effort will go a long way in improving the quality of Vocational training in the country.

The Executive Director & Staff of NIMI and members of Media Development Committee deserve appreciation for their contribution in bringing out this publication.

Jai Hind

New Delhi - 110 001

**SHRI. ATUL KUMAR TIWARI., I.A.S.,**  
Secretary  
Ministry of Skill Development & Entrepreneurship,  
Government of India.

## PREFACE

The National Instructional Media Institute(NIMI) was set up at Chennai, by the Directorate General of Training, Ministry of skill Development and Entrepreneurship, Government of India, with the technical assistance from the Govt of the Federal Republic of Germany with the prime objective of developing and disseminating instructional Material for various trades as per prescribed syllabus and Craftsman Training Programme(CTS) under NSQF levels.

The Instructional materials are developed and produced in the form of Instructional Media Packages (IMPs), consisting of Trade Theory, Trade Practical, Test and Assignment Book, Instructor Guide, Wall charts, Transparencies and other supportive materials. The above material will enable to achieve overall improvement in the standard of training in ITIs.

A national multi-skill programme called SKILL INDIA, was launched by the Government of India, through a Gazette Notification from the Ministry of Finance (Dept of Economic Affairs), Govt of India, dated 27th December 2013, with a view to create opportunities, space and scope for the development of talents of Indian Youth, and to develop those sectors under Skill Development.

The emphasis is to skill the Youth in such a manner to enable them to get employment and also improve Entrepreneurship by providing training, support and guidance for all occupation that were of traditional types. The training programme would be in the lines of International level, so that youths of our Country can get employed within the Country or Overseas employment. The **National Skill Qualification Framework (NSQF)**, anchored at the National Skill Development Agency(NSDA), is a Nationally Integrated Education and competency-based framework, to organize all qualifications according to a series of **levels of Knowledge, Skill and Aptitude**. Under NSQF the learner can acquire the Certification for Competency needed at any level through formal, non-formal or informal learning.

The **Engineering Drawing** NSQF Group 12 - Engineering Trades (Revised 2022) under CTS is one of the book developed by the core group members as per the NSQF syllabus.

The **Engineering Drawing** NSQF Group 12 - Engineering Trades (Revised 2022) under CTS as per NSQF is the outcome of the collective efforts of experts from Field Institutes of DGT, Champion ITI's for each of the Sectors, and also Media Development Committee (**MDC**) members and Staff of **NIMI**. NIMI wishes that the above material will fulfill to satisfy the long needs of the trainees and instructors and shall help the trainees for their Employability in Vocational Training.

NIMI would like to take this opportunity to convey sincere thanks to all the Members and Media Development Committee (MDC) members.

Chennai - 600 032

EXECUTIVE DIRECTOR

## ACKNOWLEDGEMENT

The National Instructional Media Institute (NIMI) sincerely acknowledge with thanks the co-operation and contribution of the following Media Developers to bring this IMP for the course **Engineering Drawing Group 12 - Engineering Trade** as per NSQF Revised 2022.

### MEDIA DEVELOPMENT COMMITTEE MEMBERS

Shri. M. Sangara pandian	-	Training Officer (Retd.) CTI, Govt. of India, Guindy, Chennai - 32.
Shri. G. Sathiamoorthy	-	Jr. Training Officer - sg (Retd.) Govt I.T.I, Trichy, DET - Tamilnadu.
Smt. M.V. Vijayavalli	-	Assistant Training Officer, Govt. I.T.I., Guindy, DET - Tamilnadu.
Shri. C.C. Subramanian	-	Training Officer (Retd.) Balamandir PHMITI, Chennai - 17.

### NIMI CO-ORDINATORS

Shri. Nirmalya Nath	-	Deputy General Manager, NIMI, Chennai - 32.
Shri. G. Michael Johny	-	Manager, NIMI, Chennai - 32.

NIMI records its appreciation of the **Data Entry, CAD, DTP Operators** for their excellent and devoted services in the process of development of this IMP.

NIMI also acknowledges with thanks, the efforts rendered by all other staff who have contributed for the development of this book.

# INTRODUCTION

Theory and procedure along with the related exercises for further practice

This book on theory and procedure along with related exercises contains theoretical information on **1 Year Engineering drawing** NSQF (Revised syllabus July 2022 Group 12 - Engineering Trade) and procedure of drawing/ sketching different exercise for further practice are also available. Wherever required, BIS specification has been used.

Exercise for further practice

The practice exercise is given with Theory and procedure for 1 Year book made obsolete as it was felt that, it is very difficult to work in workbook using drawing instruments. It is well known fact that, any drawing is prepared on suitable standard size of drawing sheets only.

The instructor is herewith advised to go through the instructions given below and to follow them in view of imparting much drawing skill in the trainees.

Acquiring the above said ability and doing small drawings is not a simple task. These books will provide a good platform for achieving the said skills.

**Time allotment:**

**Duration of 1 Year : 40 Hrs**

Sl. No.	Topic	Exercise No.	Time Allotment
1	Introduction to Engineering Drawing and Drawing Instruments	1.1.01 - 1.1.05	2
2	Free hand drawing	1.2.06 - 1.2.08	6
3	Drawing of Geometrical Figures	1.3.09 - 1.3.11	8
4	Reading of dimension and Dimensioning Practice	1.4.12 & 1.4.13	4
5	Symbolic Representation	1.5.14	8
6	Reading of Plan drawing	1.6.15	12
			<hr/> <b>40 Hrs</b> <hr/>

## Instructions to the Instructors

It is suggested to get the drawing prepared on A4/A3 sheets preferably on only one side. If separate table and chair facility is available for every trainee then it is preferred to use A3 sheets and if the drawing hall is provided with desks then A4 sheets may be used. However while preparing bigger drawings on A4 sheets suitable reduction scale to be used or multiple sheets may be used for detailed and assembly drawings.

First the border and the title block to be drawn only for the first sheet of the chapter. Eg. for conical sections only first sheet will have the title block whereas the rest of the sheets of that chapter will have only borders.

Serial number of sheet and total no. of sheets to be mentioned on each sheet.

The completed sheet to be punched and filled in a box file/ suitable files and preserved by the trainees carefully after the approval of instructor, VP and Principal of the Institute.

The file may be referred by the authority before granting the internal marks at the end of the Year.

## CONTENTS

Exercise No.	Topic of the Exercise	Page No.
	<b>Introduction to Engineering Drawing and Drawing Instruments</b>	
1.1.01	Introduction to engineering drawing and drawing instruments	1
1.1.02	Conventions	4
1.1.03	Sizes and layout of drawing sheets	5
1.1.04	Title block, its position and content	7
1.1.05	Drawing instruments	11
	<b>Free hand drawing</b>	
1.2.06	Free hand drawing of - Geometrical figures and blocks with dimension	16
1.2.07	Free hand drawing of - Transferring measurement from the given object to the free hand sketches	20
1.2.08	Free hand drawing of hand tools and measuring tools	24
	<b>Drawing of Geometrical Figures</b>	
1.3.09	Drawing of geometrical figures - Angle & triangle	29
1.3.10	Drawing of geometrical figures - Circle	32
1.3.11	Drawing of geometrical figures - Square, rectangle and parallelogram	34
	<b>Reading of dimension and Dimensioning Practice</b>	
1.4.12	Reading of dimension and Dimensioning Practice - Dimensioning	36
1.4.13	Practice of dimensioning	39
	<b>Symbolic Representation</b>	
1.5.14	Symbolic representation - Different symbols used in the related trades	42
	<b>Reading of Plan drawing</b>	
1.6.15	Reading of plan drawing	45

### LEARNING / ASSESSABLE OUTCOME

On completion of this book you shall be able to

- **Read and apply engineering drawing for different application in the field of work.**

# SYLLABUS

1 Year

Group 12 - Revised syllabus July 2022  
Engineering trades under CTS

Duration: 1 Year

CTS Trades Covered: Mason

S.no.	Syllabus	Time in Hrs
1	Introduction to Engineering Drawing and Drawing Instruments – <ul style="list-style-type: none"><li>• Conventions</li><li>• Sizes and layout of drawing sheets</li><li>• Title Block, its position and content</li><li>• Drawing Instruments</li></ul>	2
2	Free hand drawing of - <ul style="list-style-type: none"><li>• Geometrical figures and blocks with dimension</li><li>• Transferring measurement from the given object to the free hand sketches.</li><li>• Free hand drawing of hand tools.</li></ul>	6
3	Drawing of Geometrical figures: <ul style="list-style-type: none"><li>• Angle, Triangle, Circle, Rectangle, Square, Parallelogram.</li></ul>	8
4	<ul style="list-style-type: none"><li>• Reading of dimension and Dimensioning Practice.</li></ul>	4
5	Symbolic representation - <ul style="list-style-type: none"><li>• Different symbols used in the trades.</li></ul>	8
6	Reading of Plan drawing	12
	<b>Total</b>	<b>40</b>



Introduction to engineering drawing and drawing instruments

Communication

There are many different ways of communicating ideas, information, instructions, requests, etc. They can be transmitted by signs or gestures, by word of mouth, in writing, or graphically. In an industrial context the graphical method is commonly used with communication is achieved by means of engineering drawings.

If oral and written communication only were used when dealing with technical matters, misunderstandings could arise, particularly in relation to shape and size. The lack of a universal spoken language makes communication and understanding even more difficult because of the necessity to translate both words and meaning from one language to another.

However, the universally accepted methods used in graphical communication through engineering drawings eliminate many of these difficulties and make it possible for drawing prepared by a British designer to be correctly interpreted or "read" by, for example, his German, French or Dutch counterparts.

Equally important, the components shown on the drawings could be made by suitably skilled craftsmen of any nationality provided they can "read" an engineering drawing.

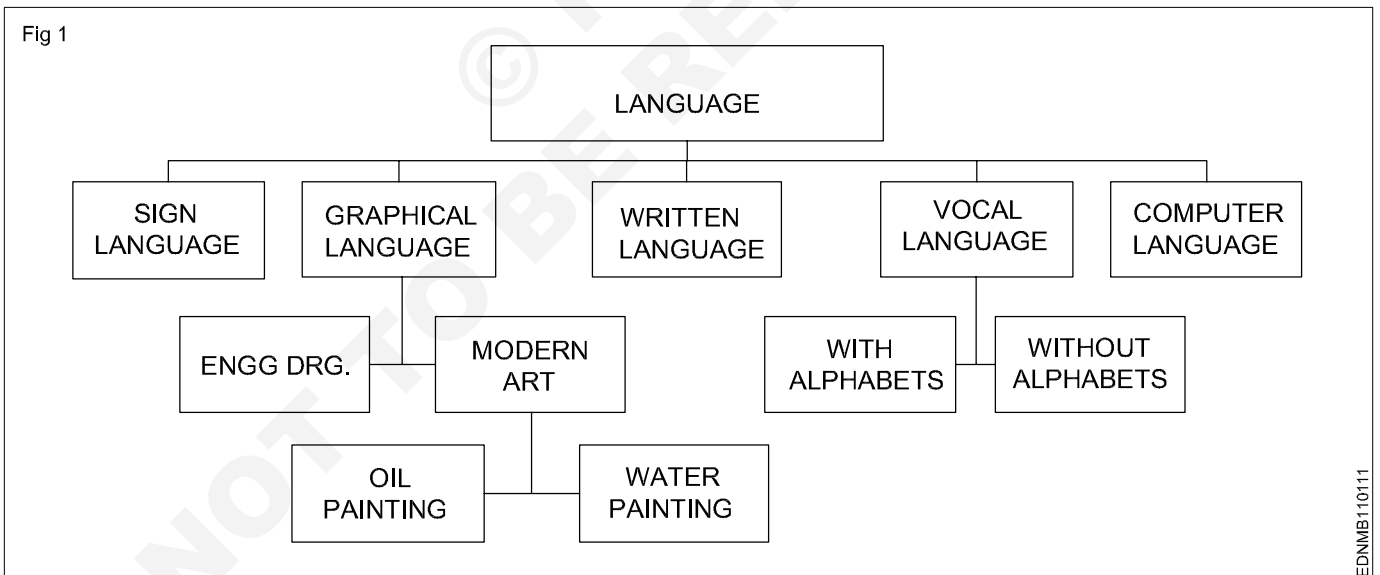
Conventionally prepared engineering drawings provide the main means of communication between the "ideas" men (the designers and draughtsman) and the craftsmen (machinists, fitters, assemblers, etc.). For the communication to be effective, everyone concerned must interpret the drawing in the same way. Only then will the finished product be exactly as the designer envisages it.

To ensure uniformity of interpretation, the British Standards Institution has prepared a booklet entitled BS 308:1972, Engineering Drawing Practice. Now in three parts, this publication recommends the methods which should be adopted for the preparation of drawing used in the engineering industry.

The standards and conventions in most common use and hence those required for a basic understanding of engineering drawing are illustrated and explained in this book.

Language

- 1 It is the media of communication (Fig 1)



EDNMB11011

## Conclusion

Effective communication is possible when graphical language is supported by written language/vocal language and vice versa.

Engineering drawing is a language that uses both graphical language and written language for effective communication.

**Engineering drawing is a graphical language that also uses written language for effective communication.**

## The importance of Engineering Drawing

The economic success of any country is mainly dependent on its industrial development. Due to globalization, any industry in our country is expected to be of a global market standard. For the above-mentioned reasons, our Indian products require very high quality for their size, dimension, fit, tolerance, and finish etc.

To produce the best standard product, all the technical personnel (Engineers to Craftsman) in an industry must have a sound knowledge of engineering drawing because engineering drawing is the language of engineers. Engineering drawing is a universal language. Different types of lines make up their alphabets. Technical personnel in any industry, including craftsman, are expected to communicate anything concerning a part or a component by means of drawings involving lines, symbols, conventions, abbreviations etc.

With our spoken languages, it is impossible to express the details of a job or a product. Engineering drawing knowledge and practise are a must for designing or producing a component or part. Even a small mistake in the drawing may reflect very badly on the product. Therefore, reading and doing engineering drawings are very essential for craftsmen and engineers.

A drawing is a graphical representation of an object, or part of it, and is the result of creative thought by an engineer or technician. When one person sketches a rough map in giving direction to another, this is graphic communication. Graphic communication involves using visual materials to relate ideas. Drawings, photographs, slides, transparencies, and sketches are all forms of graphic communication. Any medium that uses a graphic image to aid in conveying a message, instructions, or an idea is involved in graphic communication.

One of the most widely used forms of graphic communication is the drawing. Technically, it can be defined as **"a graphic representation of an idea, a concept or an entity which actually or potentially exists in life"**

Drawing is one of the oldest forms of communicating, dating back even farther than verbal communication. The drawing itself is a method of communicating necessary information about an abstract, such as an idea or concept or a graphic representation of some real entity, such as a machine part, house or tools. There are two basic types of drawings: Artistic and Technical drawings.

## Technical drawings

Technical drawings allows efficient communication among engineers and can be kept as a record of the planning process. Since a picture is worth a thousand words, a technical drawing is a much more effective tool for engineers than a written plan.

The technical drawing, on the other hand is not subtle, or abstract. It does not require an understanding of its creator, only on understanding of technical drawings. A technical drawing is a means of clearly and concisely communicating all of the information necessary to transform an idea or a concept in to reality. Therefore, a technical drawing often contains more than just a graphic representation of its subject. It also contains dimensions, notes and specifications.

## Fields of use

Technical drawing is the preferred method of drafting in all engineering fields, including, but not limited to, civil engineering, electrical engineering, mechanical engineering and architecture.

## Purpose of studying engineering drawing

- 1 To develop the ability to produce simple engineering drawing and sketches based on current practice
- 2 To develop the skills to read manufacturing and construction drawings used in industry.
- 3 To develop a working knowledge of the layout of plant and equipment.
- 4 To develop skills in abstracting information from calculation sheets and schematic diagrams to produce working drawings for manufacturers, installers and fabricators.

## Main types of Engineering drawing

Regardless of branch of engineering the engineering drawing is used. However based on the major engineering branches, engineering drawing can be classified as follows: (Fig 2)

### Mechanical engineering drawings

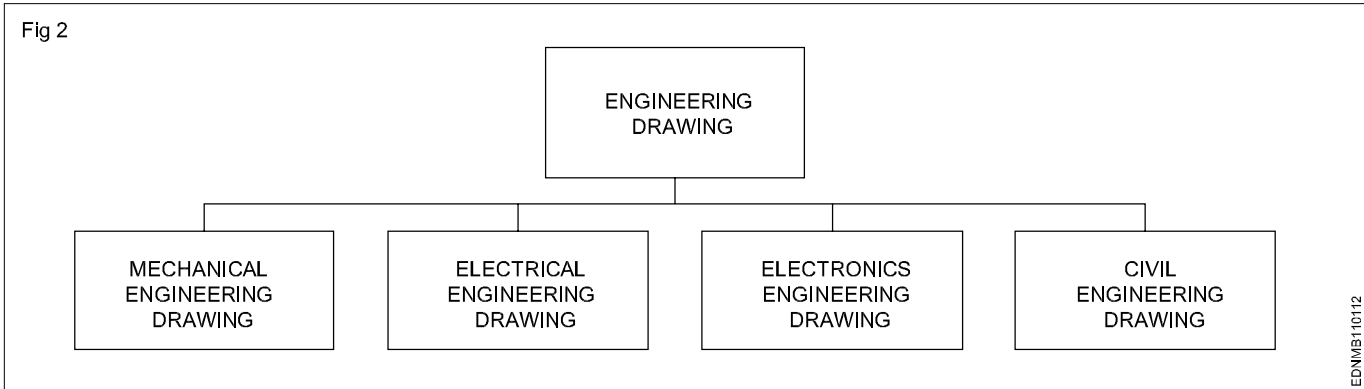
Some examples of mechanical engineering drawings are part and assembly drawings, riveted joints, welded joints, fabrication drawings, pneumatics and hydraulics drawings, pipeline diagrams, keys coupling drawings etc. (Fig 3&4)

### Electrical engineering drawing

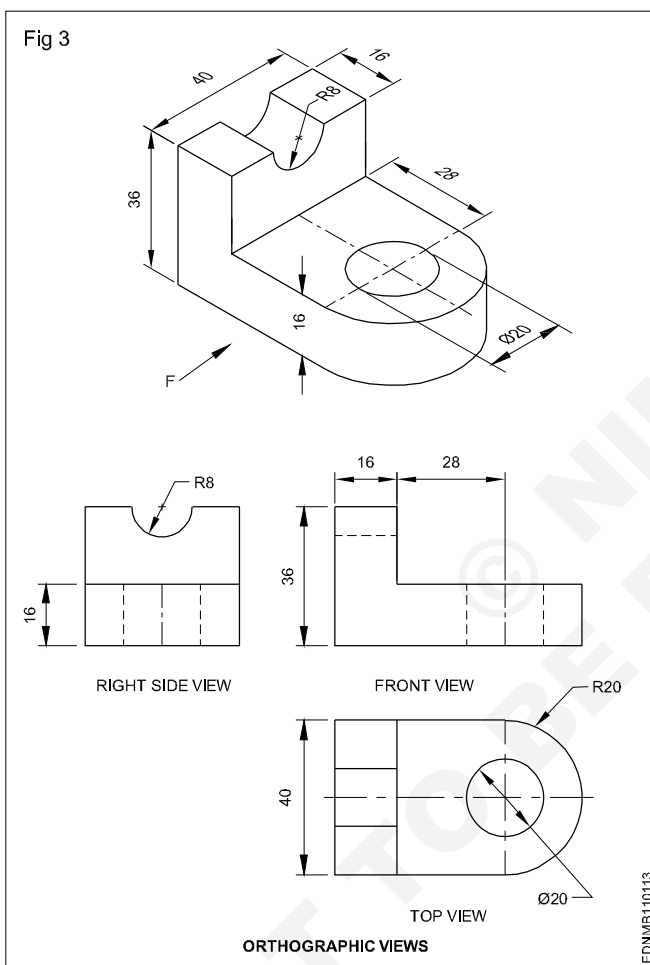
Wiring diagrams of home and industries, circuit diagrams, electrical installation drawings etc.

### Example

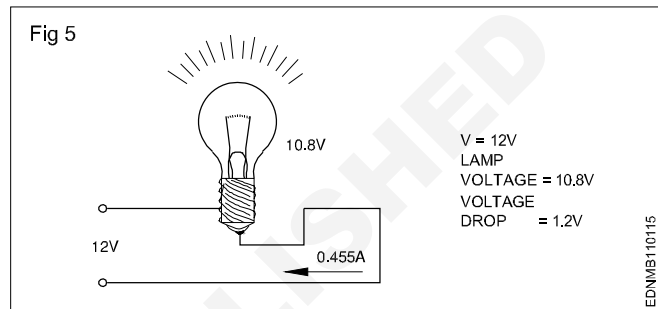
The voltage supply to a filament lamp is 10.8V. The voltage should be 12V. (Fig 5)



**Mechanical Engineering Drawings (Fig 3&4)**

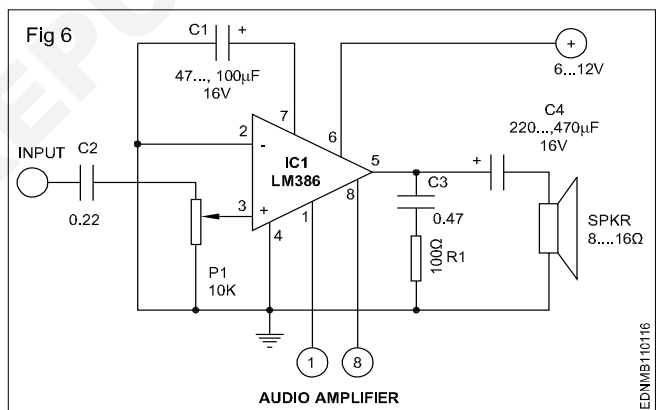


**Electrical Engineering Drawing (Fig 5)**

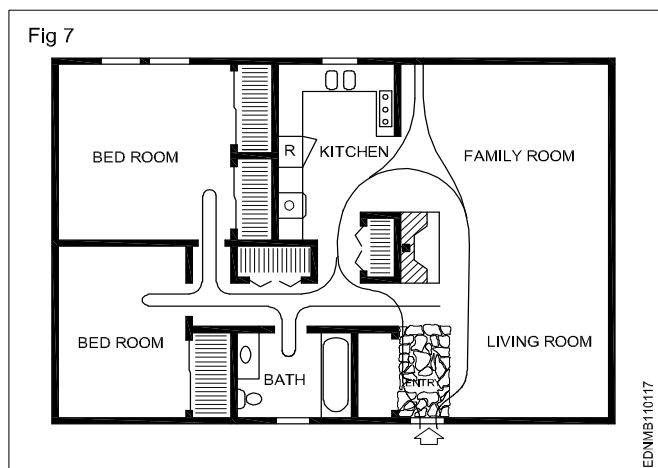


**Electronics Engineering Drawing**

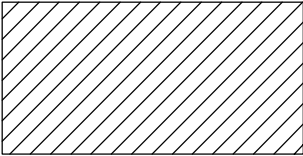
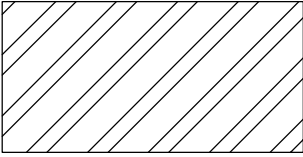

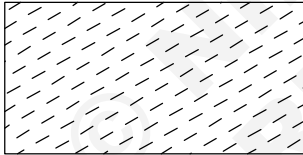
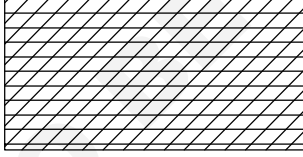
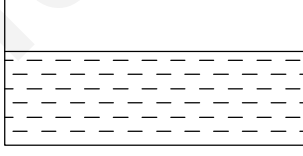
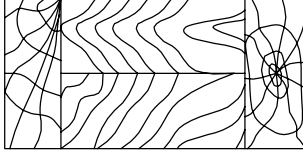
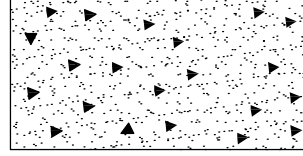
**Audio amplifier (Fig 6)**



**Civil Engineering Drawing (Fig 7)**



**Conventions**

TYPE	CONVENTION	MATERIALS
Metals		Steel, Cast Iron, Copper and its Alloys, Aluminium and its alloy, etc
		Lead, Zinc, Tin, White-metal, etc.
Glass		Glass
Packing and Insulating materials		Porcelain, Stoneware, Marble, Slate etc
		Asbestos, Fibre, Felt, Synthetic resin products, Paper, Cork, Linoleum, Rubber, Leather, Wax, insulating & Filling Materials etc
Liquid		Water, Oil, Petrol, Kerosene etc
Wood		Wood, Plywood etc
Concrete		Concrete

**Sizes and layout of drawing sheets**

**Size of drawing sheets (in mm):** While being worked on or handled, the drawing sheets are prone to tear along the edges. So slightly larger(untrimmed) sheets are preferred. They are trimmed afterwards. IS:10811:1983 lays down such as designation of preferred trimmed and untrimmed sizes.

**Designation of sheets:** The drawing sheets are designated by symbols such as A0, A1, A2, A3, A4 and A5. A0 being the largest and A5 is smallest. Table 1 below gives the length and breadth of the above sizes of sheets. (Trimmed and untrimmed)

The relationship between two sides is same as that between a side of a square and its diagonal.

TABLE 1

Designation	Trimmed size	Untrimmed size
A0	841 x 1189	880 x 1230
A1	594 x 841	625 x 880
A2	420 x 594	450 x 625
A3	297 x 420	330 x 450
A4	210 x 297	240 x 330
A5	148 x 210	165 x 240

Special elongated series increasing its widths, double, treble etc. are denoted as follows A3 x 3, A3 x 4, A4 x 3, A4 x 4, A4 x 5. Please refer Table 2.

TABLE 2

**Special elongated series**

Designation	Size
A3 x 3	420 x 891
A3 x 4	420 x 1189
A4 x 3	297 x 630
A4 x 4	297 x 841
A4 x 5	297 x 1051

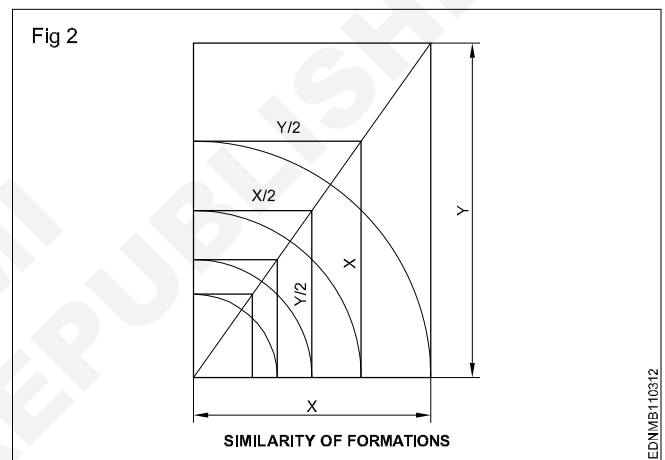
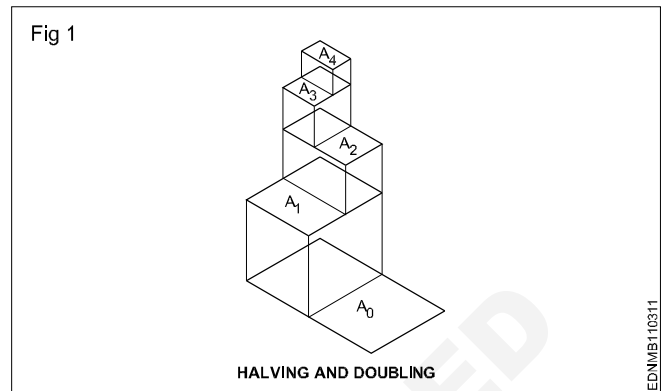
Fig 1 & 2 shows how the sheet sizes are formed by halving/doubling and similarity of format.

White drawing papers that do not turn yellow on exposure to air are used for finished drawings, maps, charts and drawings for photographic reproductions.

For pencil layouts and working drawings, cream-coloured papers are best suited.

**Quality drawing paper:** The drawing papers should have sufficient teeth or grain to take the pencil lines and withstand repeated erasing.

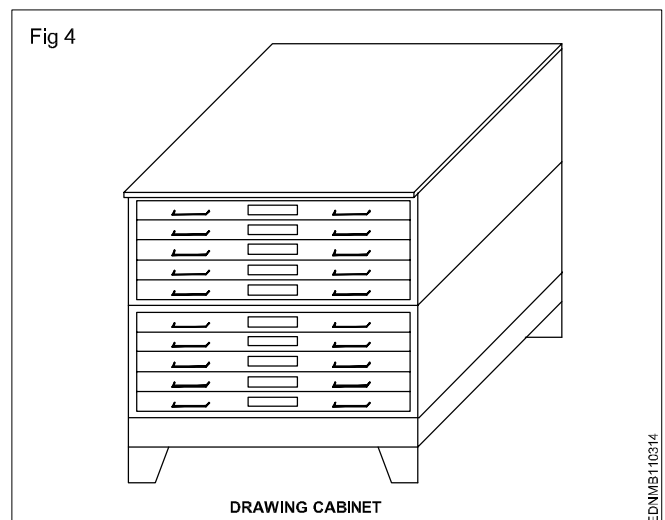
To get uniform lines, backing paper is to be placed on the drawing board before fixing drawing/tracing paper,. Before starting the drawing, the layout should be drawn. (Ref: IS:10711)



The following is the method of folding printed drawing sheets as recommended by BIS. (Fig 3)

**Method of folding of printed drawing sheets as per BIS SP: 46-2003**

When drawings sheets are in more numbers, they have to be folded and kept in order to save the trace required for preserving them (Fig 4).

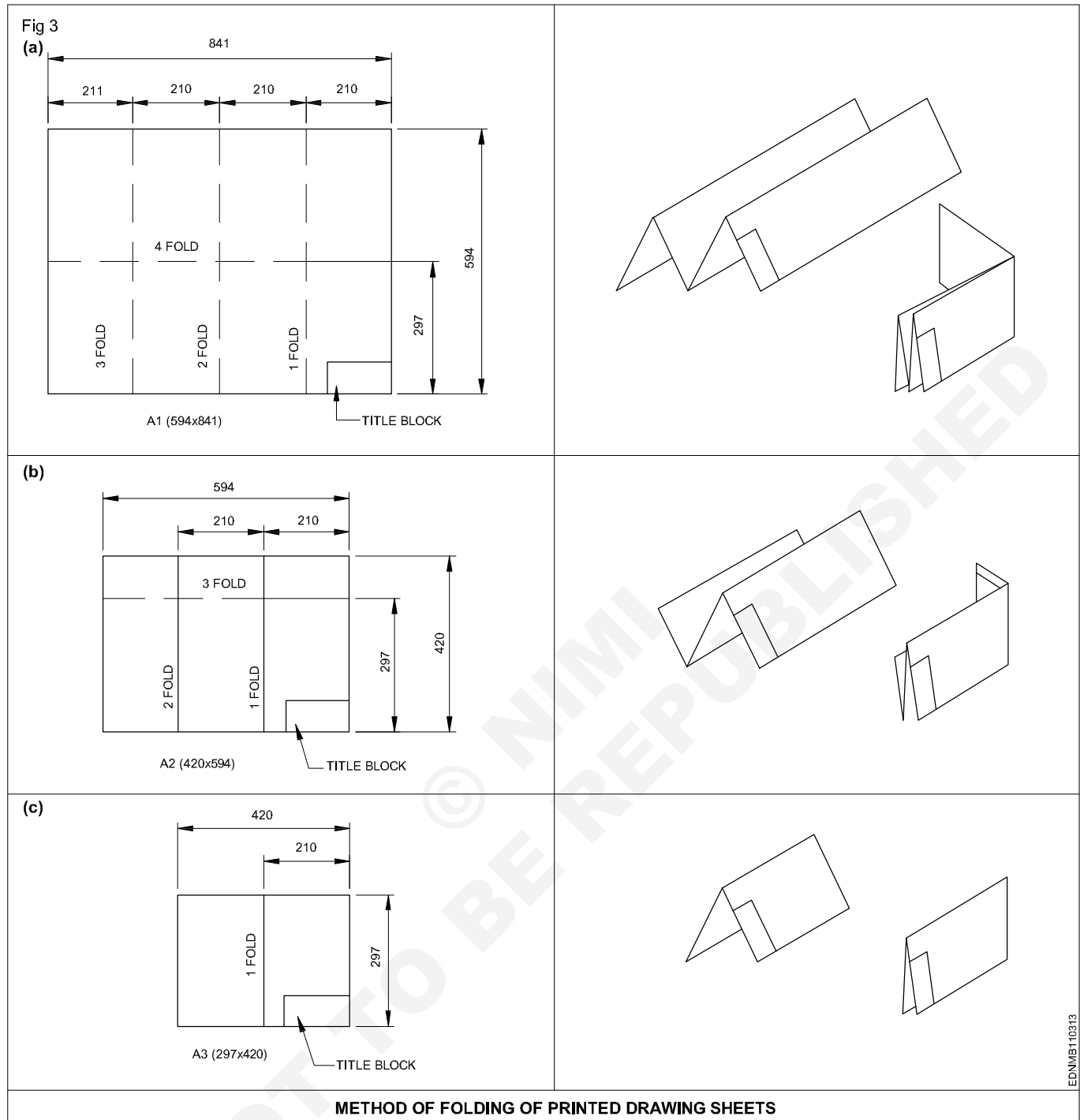


EDNMB110311

EDNMB110312

EDNMB110314

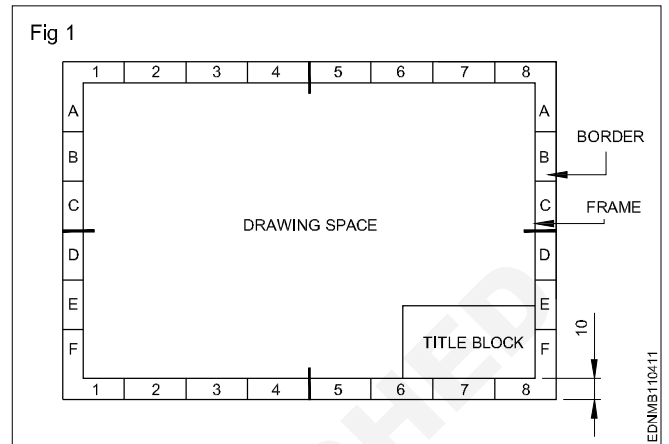
**Method of folding printed drawing sheets (Fig 3)**



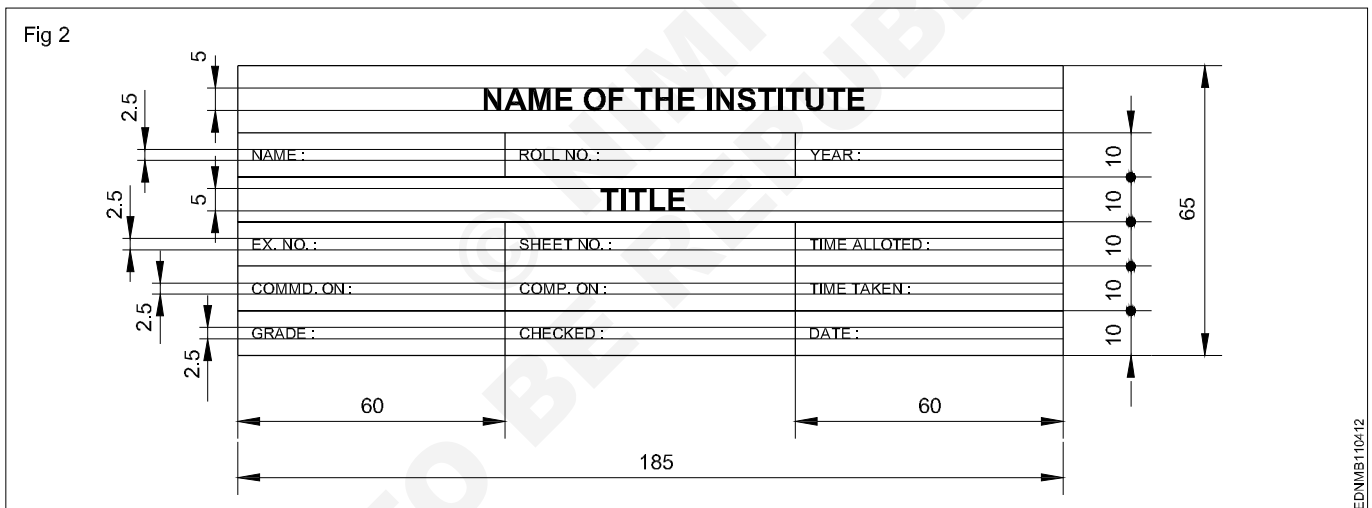
**Title block, its position and content**

**Layout of drawing sheet:**

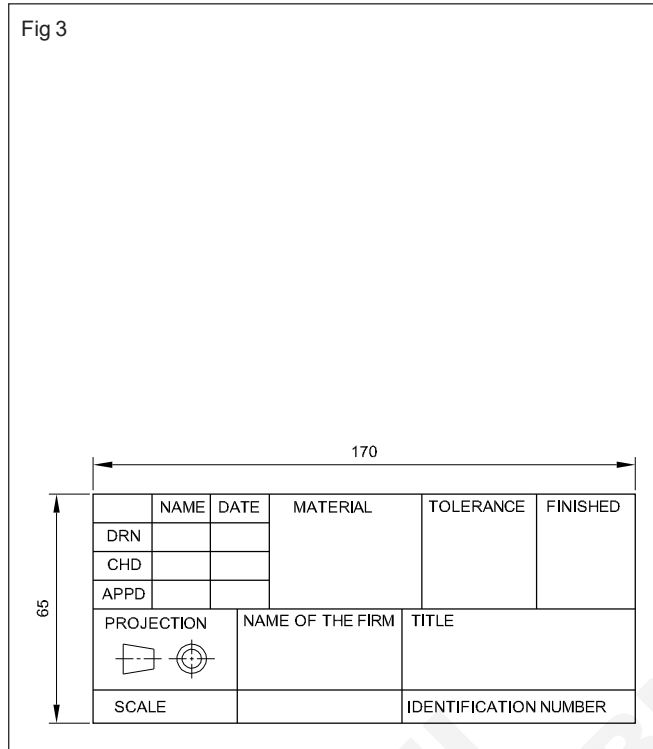
As a standard practice sufficient margins are to be provided on all sides of the drawing sheet. The drawing sheet should have drawing space and title space. A typical layout of a drawing sheet is shown in the (Fig 1 & 2).



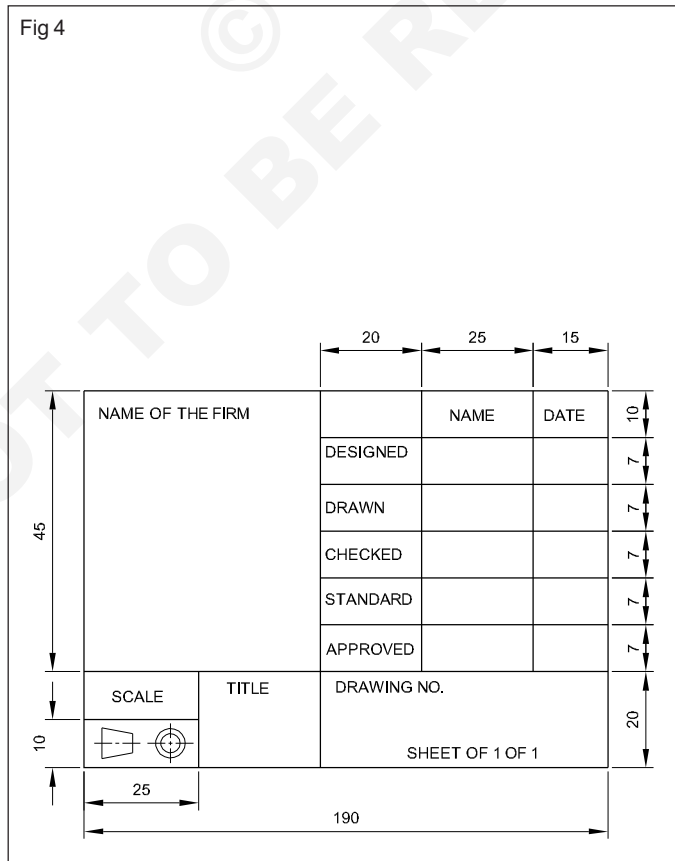
**Title Block - 1**



Title Block - 2

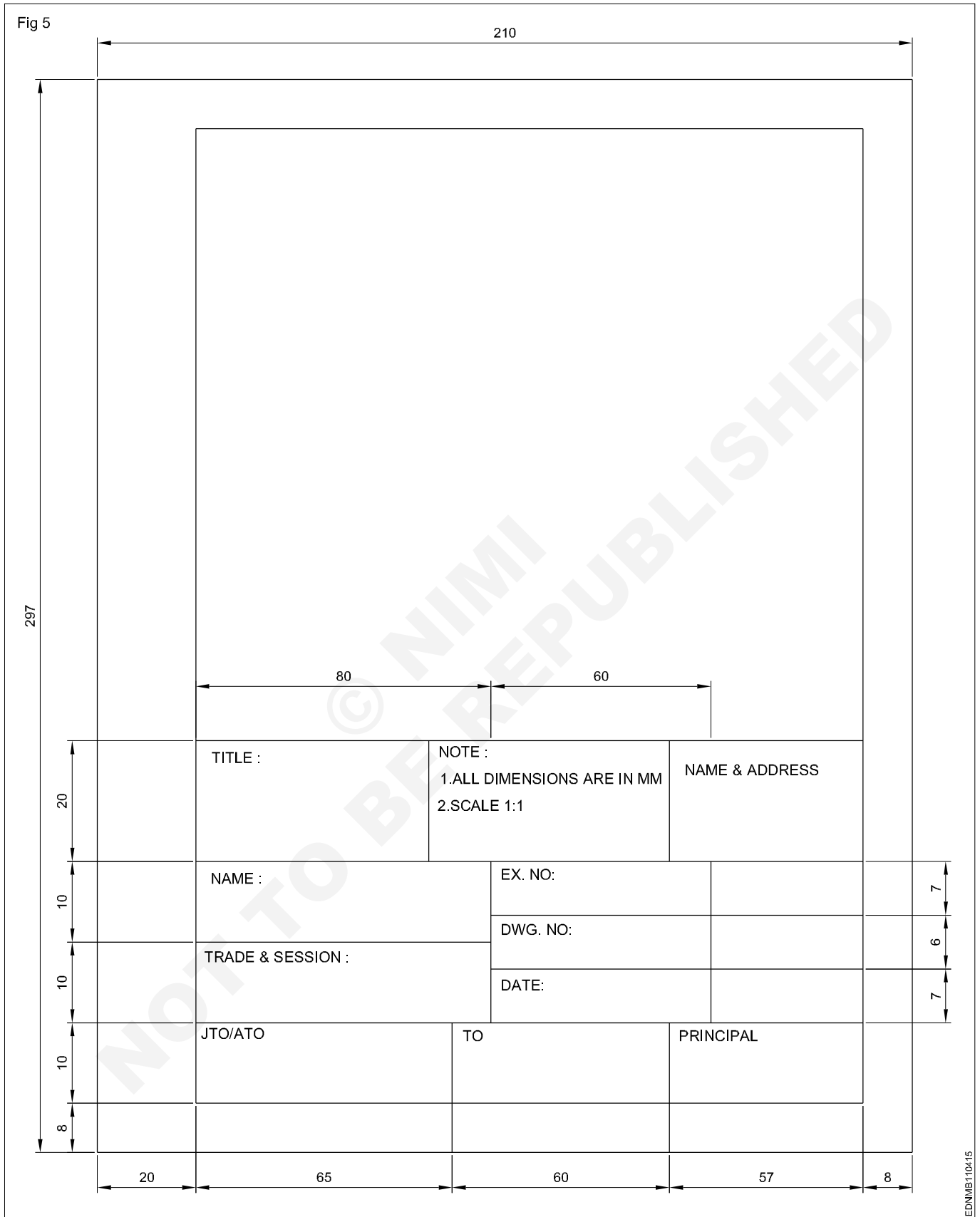


Title Block - 3





Title Block - Position and content - 1



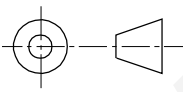
## Title Block - Position and content - 2

Fig 6

DO NOT SCALE

REVISION			
SL.N	DESCRIPTION	DATE	APPX
A	M12 WAS 1/2 WHIT.	14.12.18	A.W.D

4			
3			
2			
1	A7325	VALVE BODY	1
DRG OR PART NO.	DESCRIPTION	QTY.	

UNLES OTHERWISE STATED ALL DIMENSIONS IN MILLIMETRES. TOLERANCES LINEAR: ANGULAR:		DRN 1:1:78 JKL	(NAME OD THE FIRM)
		CKD 2:1:78 MLN	
		APPD 5:1:78 AWB	
		ISSUED 4:2:78 PFP	
DRAFTING STANDARD AS 1100	FINISH AS MACHINED	SIZE A3	DRG NO A24641
		SCALE 1:2	SHEET 1 OF 1

EDNWB110416

### Item Reference on Drawing Sheet

05	TIGHTENING PIN	01	MILD STEEL	
04	WORK PIECE	01	ANY MATL.	
03	SCREW ROD	01	STD.	
02	"U" CLAMP	01	CAST IRON	
01	"V" BLOCK	01	CAST IRON	
PART NO	DESCRIPTION OF ITEM	QTY/ASSY	MATERIAL	REMARKS
<b>BILL OF MATERIALS</b>				

The drawing sheet on which the drawings to be prepared should be prepared first by following the procedure given below:

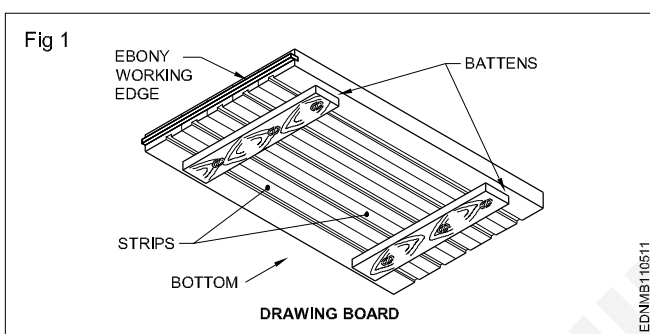
- 1 Take A4/A3 drawing sheet.
- 2 Mark the borders and draw the title block as mentioned.

- 3 Follow the same procedure for A3 drawing sheet where the title block is to be drawn right side bottom corner and the border dimensions remain same.
- 4 Title block to be drawn whenever the title of the drawing changes. Eg. for the geometrical construction chapter the title block may be drawn in the first sheet only where as on the remaining sheets borders to be drawn before they are used for preparing drawings.

**Drawing instruments**

The following are the commonly used equipment in a drawing office.

**Drawing board** (Fig 1): Drawing board is one of the main item of equipment for Draughtsman. It is used for supporting the drawing paper/tracing paper for making drawings. It is made of well-seasoned wood strips of about 25 mm thick or masonite, free from knots and warping. It should be softer enough to allow insertion and removal of drawing pins. Two battens are fastened to the board by screws, in slotted joints. They prevent warping and at the same time permit expansion and contraction of the strips due to the change of moisture in the atmosphere.



One of the shorter edges of the drawing board is provided with an "ebony edge" (hardwood) fitted perfectly straight.

Standard drawing boards are designated as follows as per IS:1444-1989.

Sl. No.	Designation	Size (mm)
1	D0	1500 x 1000 x 25
2	D1	1000 x 700 x 25
3	D2	700 x 500 x 15
4	D3	500 x 350 x 15

The working edge (ebony) must be straight.

Now-a-days drawing boards are available with laminated surfaces. The flatness can be checked by placing a straight edge on its surface. If no light passes between them, the surface is perfectly flat.

**'T' Square:** It is of 'T' shape, made of well-seasoned wood. It has two parts., head/stock and blade. One of the edges of the blade is the working edge. The blade is screwed to this head such that the working edge is at a right angle to the head. (Fig 2a)

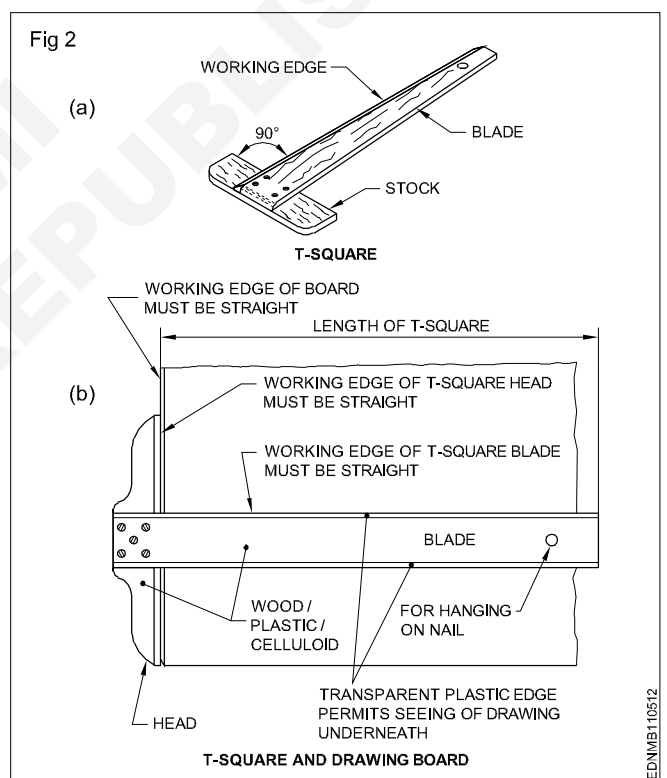
The standard 'T' square is designated as follows with dimensions shown in mm; as per IS:1360-1989.

Sl. No.	Designation	Blade length
1	T0	1500
2	T1	1000
3	T2	700
4	T3	500

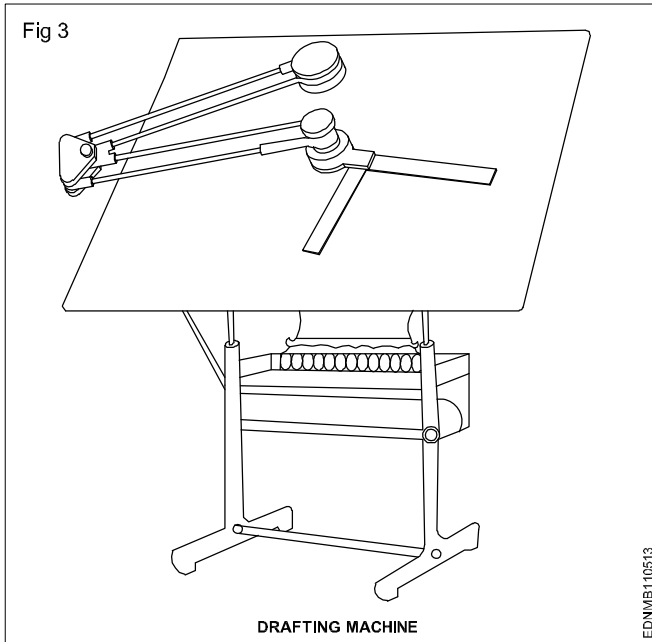
The 'T' square is used with its head against the ebony edge of the drawing board to draw horizontal lines, and parallel lines and to guide/hold the set squares, stencils etc.

Fig 2b shows how the 'T' square is used.

'T' square should never be used as a hammer or as a guide for trimming papers.



**Drafting in the machine** (Fig 3): It serves the functions of a Tee square, set square, protractor and scale. They come in different sizes and have a pattern called the 'Pantograph' type. It is fitted on the top left side, edge of the drafting board, mounted on an adjustable frame or table. It requires a large area of working place. The angle of the drafting board can be adjusted by the pedal operating system. There are two counterweights to balance the angular position of the board and the drafting head. It is more suitable for the production drawing office.



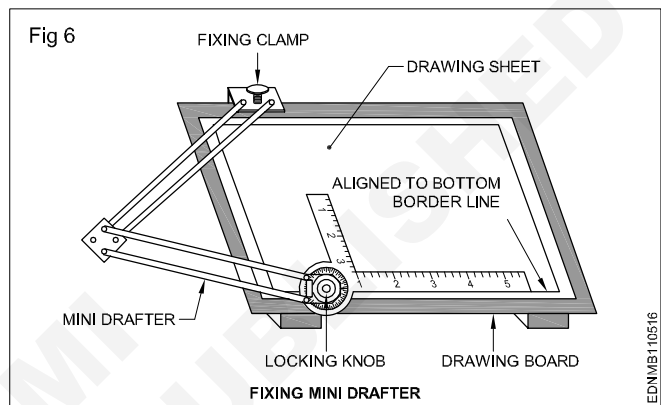
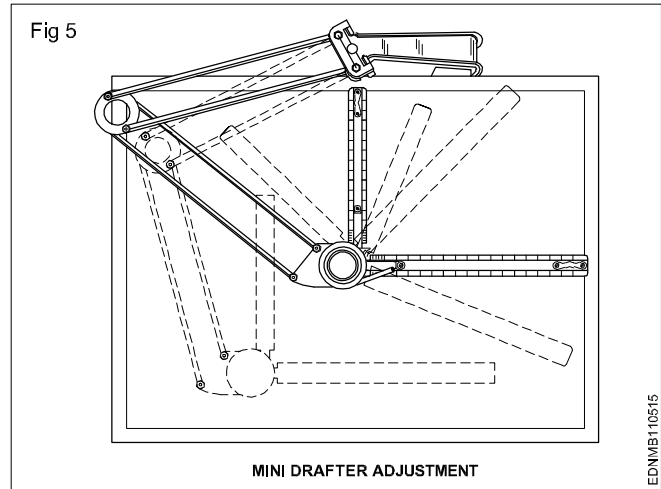
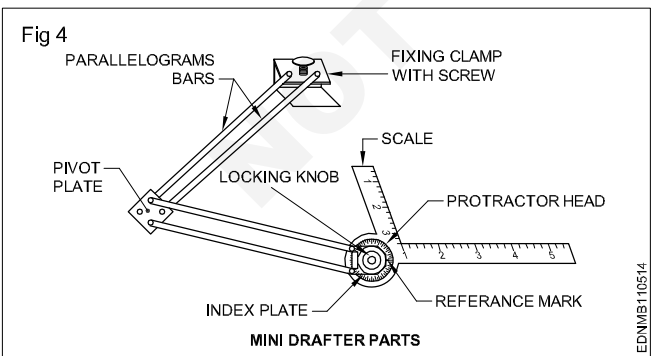
On the other end, a protractor head H with swivelling and locking arrangement is fitted with two scales at right angles.

The protractor head has a spring-loaded clutch relieving handle, which rotates and locks at 15° intervals automatically. For setting any angle other than multiples of 15°, the clutch spring is released and by rotating the centre knob, the zero line is set to the required angle and the friction clutch knob is tightened. It is capable of rotating 180°, thereby any angle can be set.

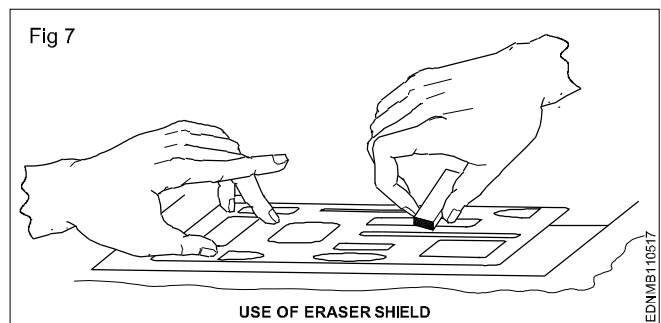
The scales are bevelled on both sides, graduates to 1:1 & 1:2. They can be reversed with the help of dovetail slide fitting.

There is a fine adjusting mechanism on the drafting head to set the scale parallel to the edge of the board. The scales also can be adjusted if there is an error in measuring 90° between them.

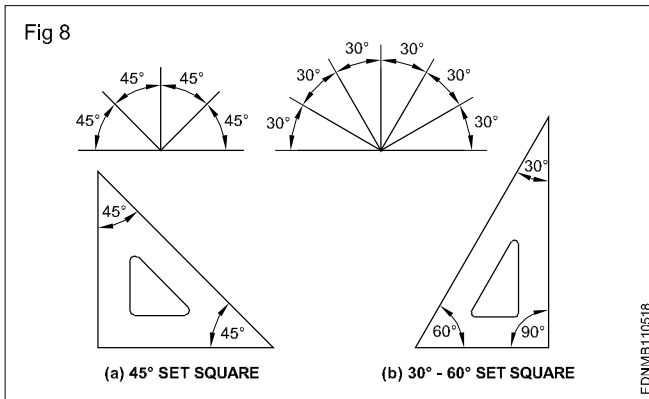
The mini drafter is an important device used for making drawing quickly & accurately. This instrument has the combination of T-square, set square, protractor and scales, it helps to draw the drawings at a faster rate. (Fig 4,5 & 6)



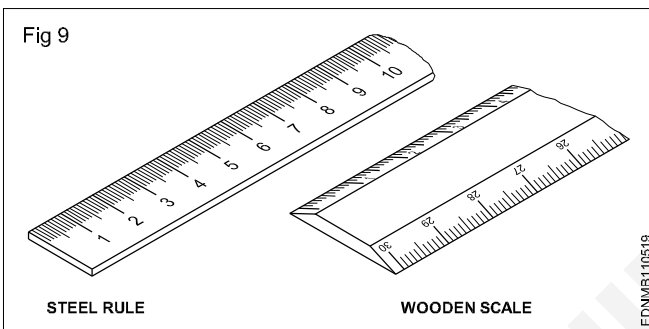
**Erasing shield:** When, on a drawing, if a part of a line or some lines among many other lines needs to be erased or modified, in a normal way erasing will damage the other nearby lines. In such a situation an erasing shield is effectively useful. It is a thin metallic sheet having small openings of different sizes and shapes. A suitable opening is aligned to the line to be erased and the line is removed by the eraser. (Fig 7)



**Set square (IS:1361-1988):** Transparent celluloid/Plastic set squares are preferred and are commonly used rather than ebonite ones. They are two in number, each having one corner with 90°. The set square with 60° & 30° of 250 mm long and 45° of 200mm long is convenient for use. (Fig 8)



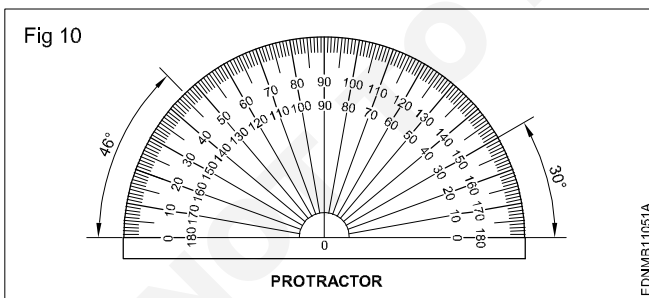
**Scales:** Scales are used to transfer and or measure the dimensions. They are made of wood, steel, ivory, celluloid or plastic, stainless steel scales are more durable. different types of scales used are shown in Fig 9. They are either flat, bevel-edged or triangular cross-sections. Scales of 15cm long, 2cm wide or 30cm long 3.5cm wide are in general use.



**Protractor:** A protractor is an instrument for measuring angles. It is semi-circular or circular and is made of a flat celluloid sheet.

The angles can be set or measured from both sides, aligning the reference line and point '0' with the corner point of the angle.

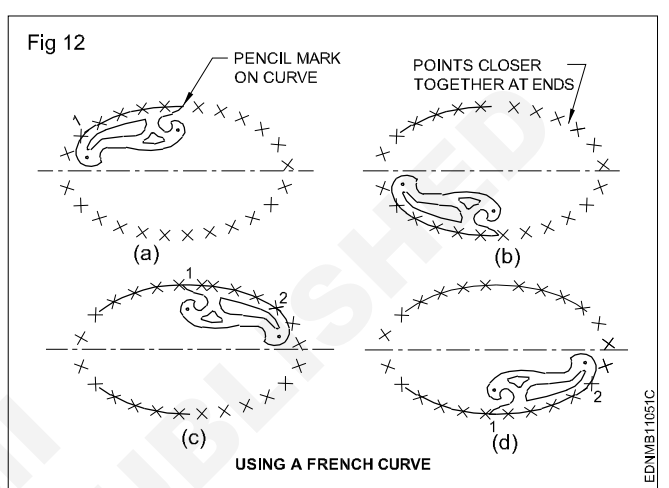
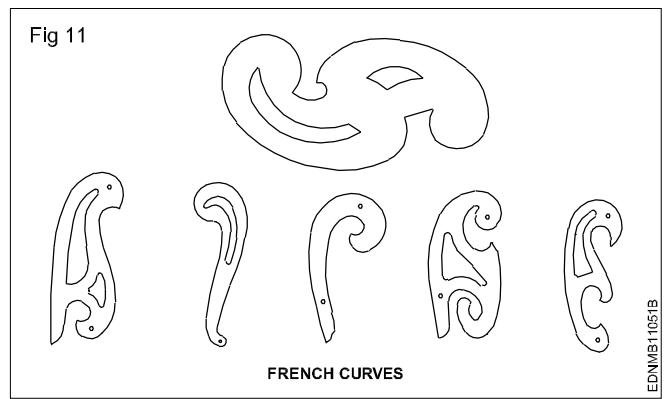
Figure 10 shows how to read or set the angle. A protractor can also be used to divide a circle or draw sectors.



### French curves (Fig 11)

These are made in many different shapes, normally come in sets of 6, 12, 16 etc. French curves are best suited to draw smooth curves/arcs (which cannot be drawn by a compass) with ease. To draw a smooth curve using a french curve first set it by trial against a part of the line to be drawn, then shift it to the next portions.

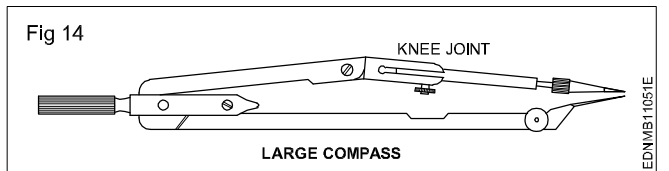
Fig 12 shows how to use the french curve and draw smooth curves. They are made of transparent celluloid (no bevel edge).



An instrument box contains the following: (Fig 13a to h)

- Large compass (with attachment facility) (a)
- Large divider (b)
- Bow compasses(pencil/ink), bow divider (c)
- Lengthening bar (d)
- Pen point for attachment (e)
- Screwdriver (f)
- Lead case (g)
- Liner (h)

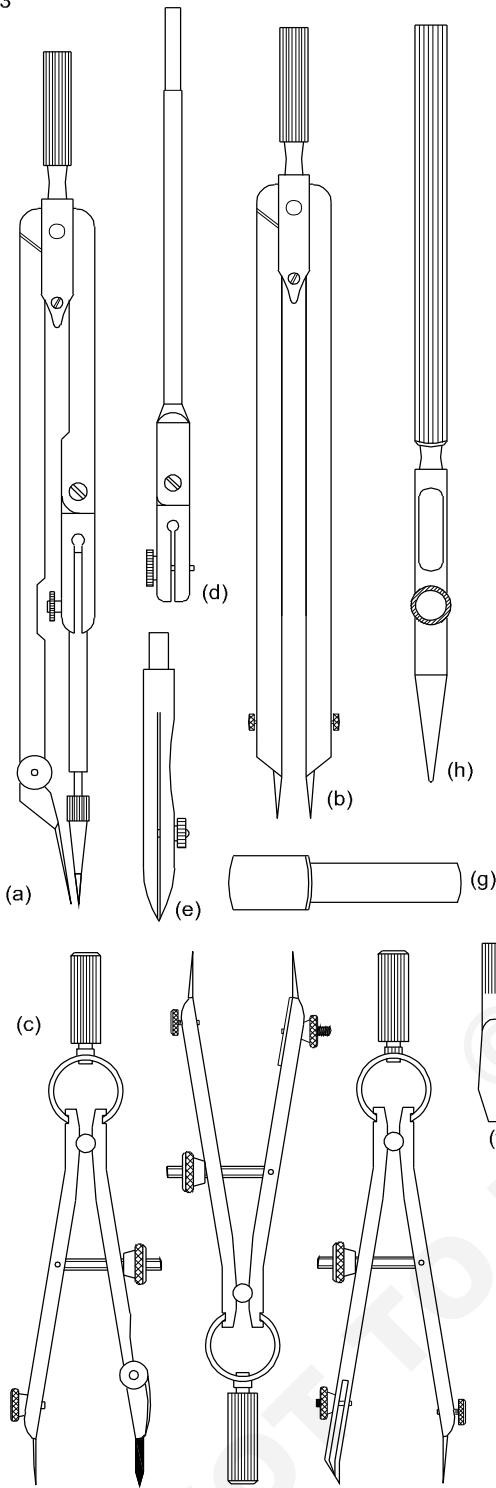
**Large compass (Fig 14):** It has a knee joint in one leg that permits the insertion of a pen or pencil point or attaching a lengthening bar with a pen or pencil point attached to it. It is used for drawing large circles/arcs and also for taking large measurements.



**As a rule, while drawing concentric circles, small circles should be drawn first before the centre hole gets worn.**

**Large divider:** It is used to transfer dimensions and divide lines into several equal parts. Divider with adjustable joints is preferable rather than plain legs. (Fig 15)

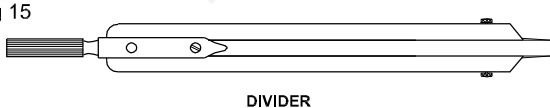
Fig 13



DRAWING INSTRUMENTS

EDNMB11051D

Fig 15



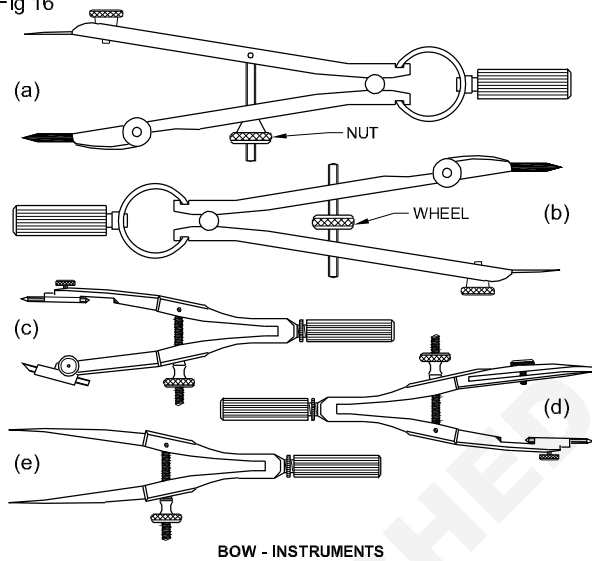
DIVIDER

EDNMB11051F

**Bow instruments:** Bow pencil and bow pen compass are used for drawing circles of approximately 25 mm radius. A bow divider is used for marking or dividing smaller spaces. There are two types (i) Integral legs with spring action (ii) two legs are held with a curved spring on top with a handle on it.

Fig 16 shows different types of bow instruments. Adjustments should be made with the thumb and middle finger.

Fig 16

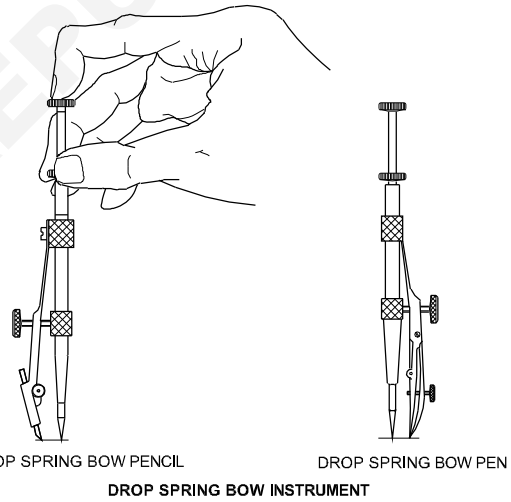


BOW - INSTRUMENTS

EDNMB11051G

**Drop spring bow pencil and pen (Fig 17):** Drop spring bow pencil and pen are designed for drawing multiple identical small circles. Example: rivet holes, drilled/reamed holes. The central pin is made to move freely up and down through the tube attached to the pen or pencil unit.

Fig 17



DROP SPRING BOW PENCIL

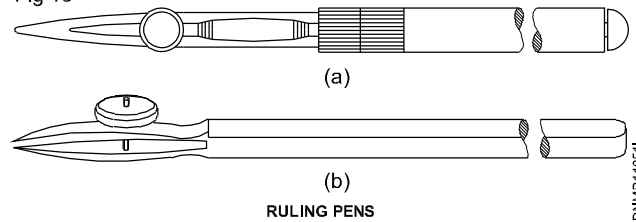
DROP SPRING BOW PEN

DROP SPRING BOW INSTRUMENT

EDNMB11051H

**Inking pen or liner or ruling pen (Fig 18):** It is used to ink the straight lines drawn with the instruments but never for freehand lines or lettering.

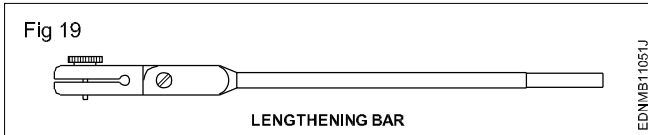
Fig 18



RULING PENS

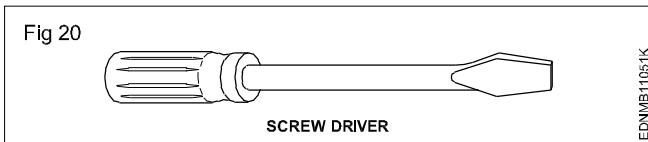
EDNMB11051I

**Lengthening bar** (Fig 19): To draw larger circles, it is fitted to the compass. The pencil point or pen point is inserted into its end.

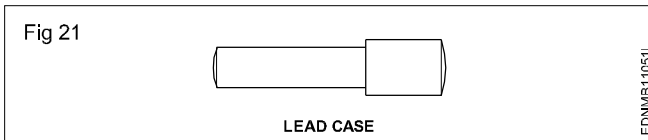


Replaceable spare pencils, pens and needle points for the compass are available in the instrument box.

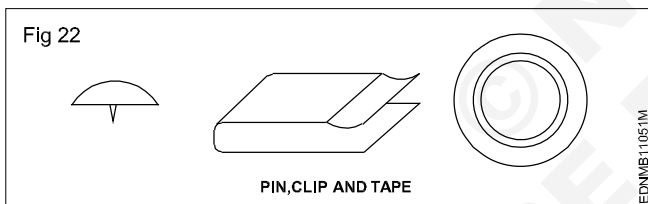
**Screwdriver** (Fig 20): Used for adjusting the screws of the instruments.



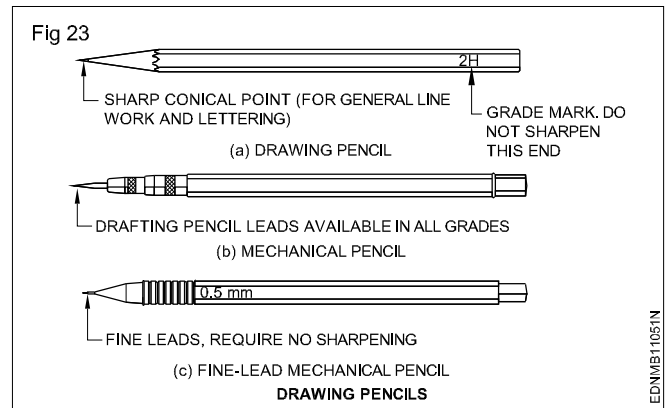
**Lead case** (Fig 21): Lead case is the box for holding the pencil leads.



**Pin, Clip, Cello tape:** Drawing sheet should be fastened onto the drawing board firmly temporarily so that it does not shake during preparing the drawing. For this purpose, the pins, clips and cello tapes are used (Fig 22)



## Pencils, Grade and Selection (Fig 23)



**Grades of pencils:** Pencils are graded according to the hardness or softness of the lead.

**The hardest pencil is 9H grade and the softest pencil is 7B grade.** The selection of the grade of pencils depends on the type of line work required and the paper on which it is used.

Softer lead pencils are used to produce thicker and darker line work, but they wear out quickly. Medium grades of H and 2H are used for general line work as well as for lettering.

**Selection of pencils:** Pencil grades vary from one brand to another brand. Select the grades of the pencil depending upon the type of line work. For construction lines, you can choose 2H or 3H, for lettering and object lines grade H pencils. In general H, HB and 2H are used.

H - medium-hard

HB - medium-soft

2H - hard

Now-a-days automatic (Mechanical) pencils or clutch pencils are available in different sizes (lead dia. 0.3, 0.5, 0.7 or 0.9). Leads can be replaced as per the required grade of hardness. They produce lines of uniform width without sharpening.

**Free hand drawing of - Geometrical figures and blocks with dimension**

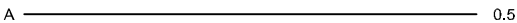



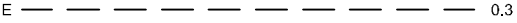





**Lines - Types and applications in drawing**

Drawings are made up of different types of lines. Just a language with alphabet and grammar.

Lines of different thicknesses and features are used for specific use.

Technical drawings are drawn with different types of lines. By proper choice and application of lines, product features can be correctly defined in a drawing. Different types of lines recommended for specific applications are given in Table 1.

Table 1  
**Types of lines and their application**

Lines	Description	General applications See figure and other relevant figure
A  0.5	Continuous thick	A1 Visible outlines A2 Visible edges
B  0.2	Continuous thin (straight)	B1 Imaginary lines of intersection B2 Dimension lines B3 projection lines or extension line B4 Leader lines B5 Hatching B6 Outlines of revolved sections in place B7 Short centre lines B8 Thread line B9 Diagonal line
C  0.2	Continuous thin free hand	C1 Limits of partial or interrupted views & sections, if the limit is not a chain thin
D  0.2	Continuous thin (Straight) with zig-zags	D1 Line (See figures)
E  0.3	Dashed thick	E1 Hidden outlines E2 Hidden edges
F  0.2	Dashed thin	F1 Hidden outlines F2 Hidden edges
G  0.2	Chain thin	G1 Centre lines G2 Lines of symmetry G3 Trajectories
H  0.3	Chain thin, thick at ends & changes of direction	H1 Cutting planes
J  0.5	Chain thick	J1 Indication of lines or surfaces to which a special requirement applies
K  0.2	Chain thin double-dashed	K1 Outlines of adjacent parts K2 Alternative and extreme positions of movable parts K3 Centroidal lines K4 Initial outlines prior to forming K5 Parts situated in front of the cutting plane

1 This type of line is suited for production of drawings by machines.  
 2 Although two alternatives are available, it is recommended that on any one drawing, only one type of line be used.

In the above range, for craftsmen, 0.5 is preferred. This table shows the 0.5 line range and other lines under this range.

The numbers on the right side of the lines refer to the line thickness in mm.



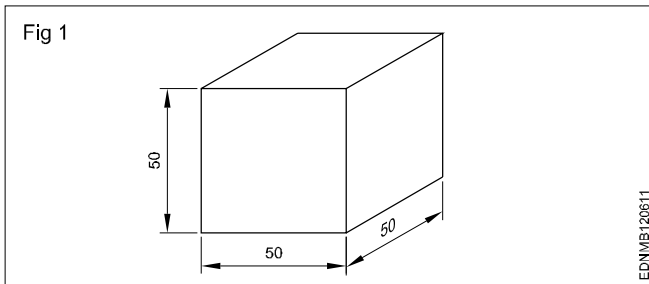
**Geometrical figures and block with dimension**

**Freehand sketching:** Apart from making drawing using instruments, often craftsmen will be required to make drawings with their free hand.

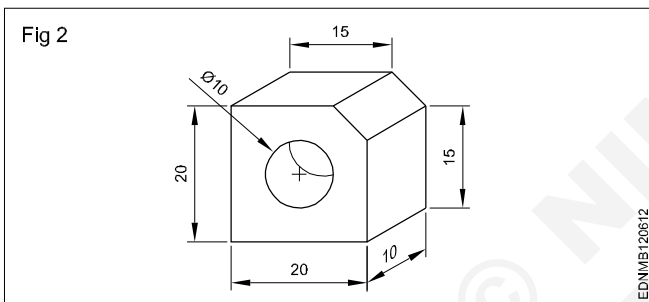
Freehand sketching is the easiest method to express the shape of a piece part or a component by an engineer or craftsman.

Freehand sketches are not usually made to scale. However, they should be as nearly to the proportions as possible.

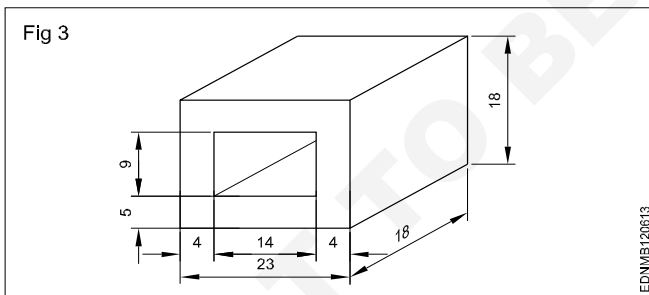
**Cube (Fig 1)**



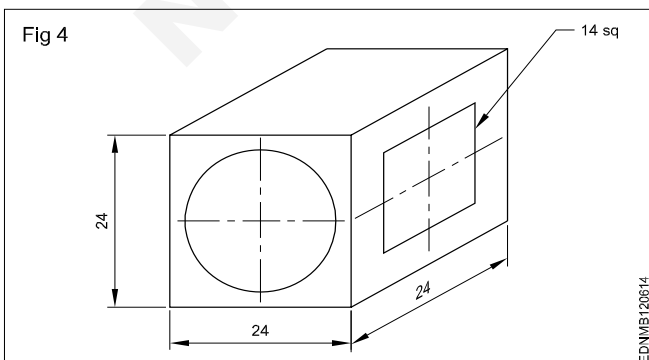
**Square block (Fig 2)**



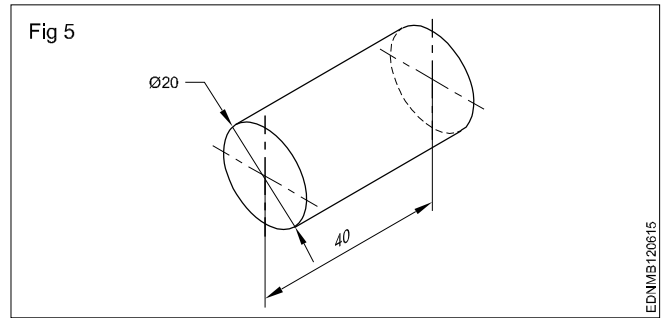
**Rectangular block (Fig 3)**



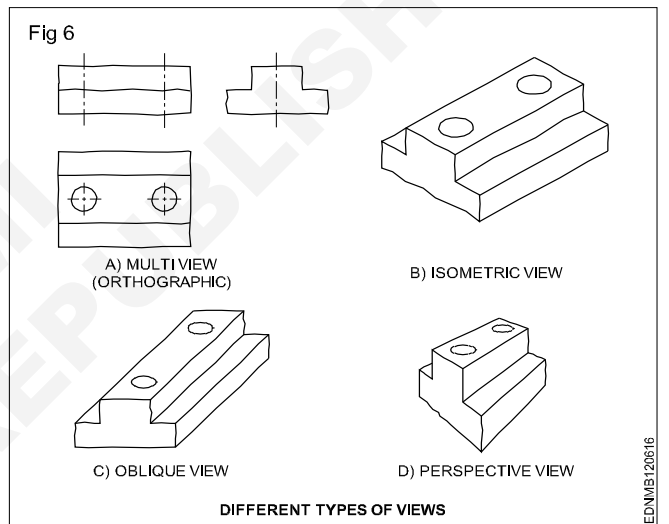
**Cube block (Fig 4)**



**Cylinder (Fig 5)**



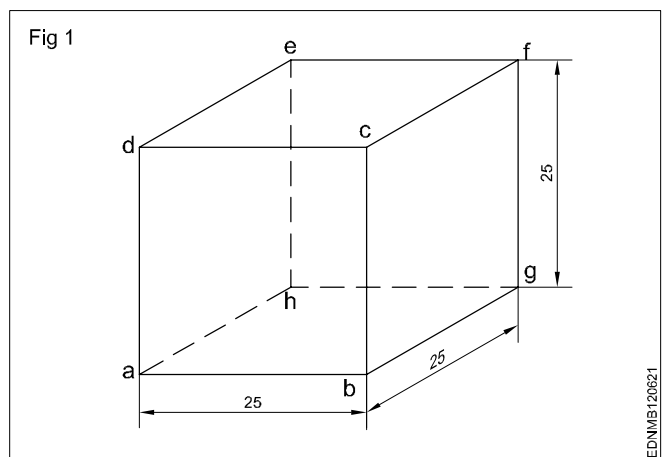
**Materials for free hand sketching:** A4 size sheet (preferably a pad instead of loose papers) pencils of soft grade. Example H, HB, and a good quality eraser are the only materials required. For drawing different darkness, the pencil points should be sharpened to a conical shape. Fig 6 shows some free hand sketches of different types of views.



**Procedure**

Freehand drawing of solid figures, cubes, cuboids, cone, prism, pyramid, frustum of a cone with dimensions

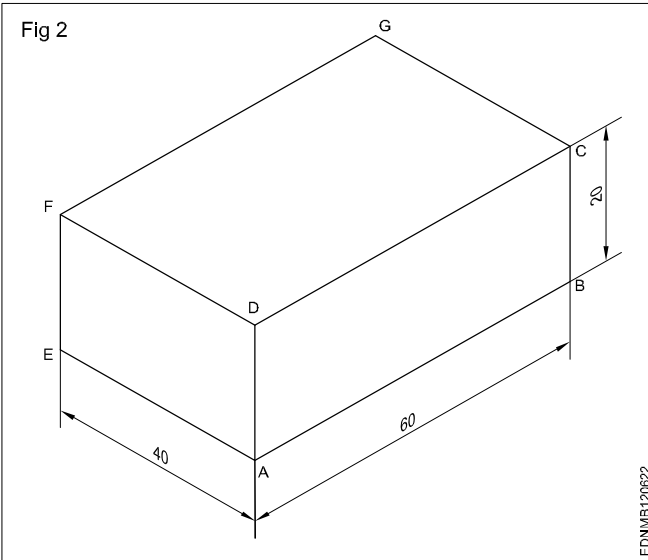
**Cube (Fig 1)**



- Draw squares of a, b, c and d.
- Draw  $30^\circ$  from points b, c and d for the length of 25mm.
- Mark point g from b, f from c and e from d as shown in the figure.
- Joint all points.

### Cuboid (Fig 2)

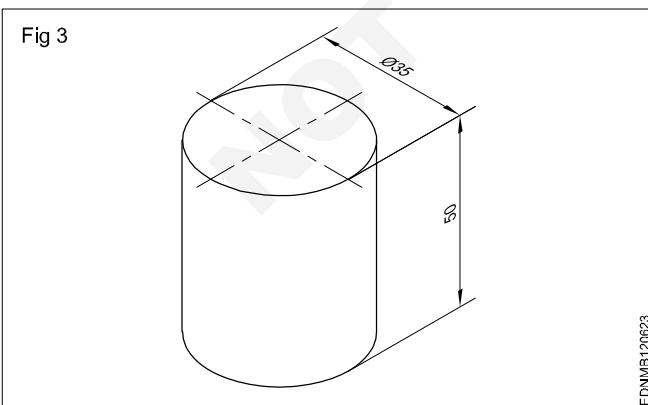
Draw the isometric drawing of a cuboid of base 60 mm x 40 mm and the height of 20 mm. (Fig 2)



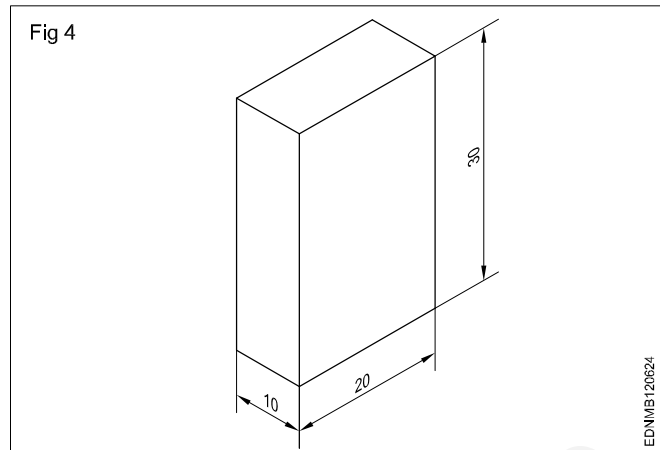
Draw the three isometric axes through the point 'A'.

- Mark  $AB = 60\text{mm}$ ,  $AE = 40\text{mm}$  and  $AD = 20\text{mm}$  representing the three sides of cuboid.
- Draw two vertical lines  $EF$  and  $BC$  parallel to  $AD$  from points  $E$  and  $B$  respectively.
- Similarly, draw two more lines parallel to  $AB$  and  $AE$  to mark  $G$ 's interesting point from  $F$  and  $C$ .
- Draw lines parallel to  $DC$  and  $FG$  Draw lines parallel to  $DF$  and  $GC$ .
- Join all the points.

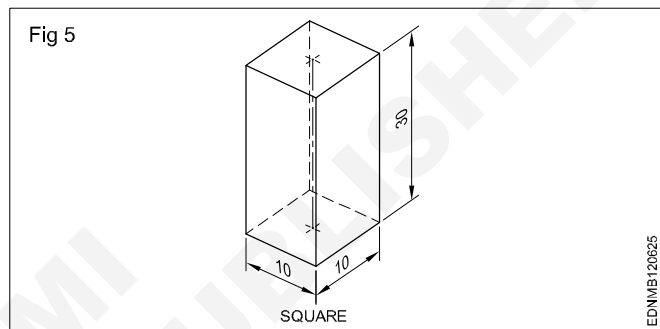
### Cylinder (Fig 3)



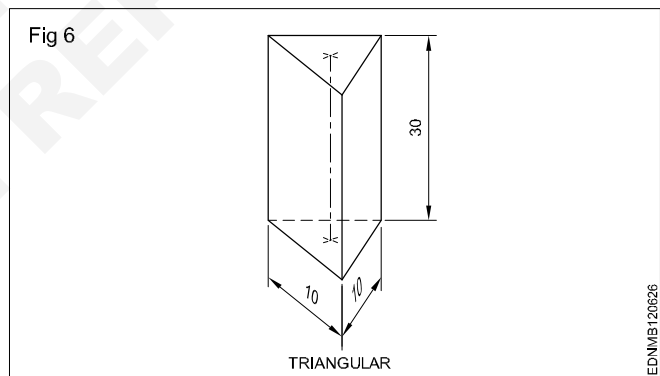
### Rectangular prism (Fig 4)



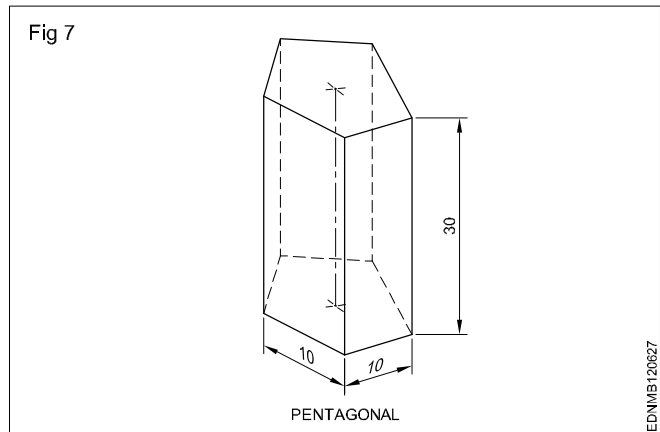
### Square Prism (Fig 5)



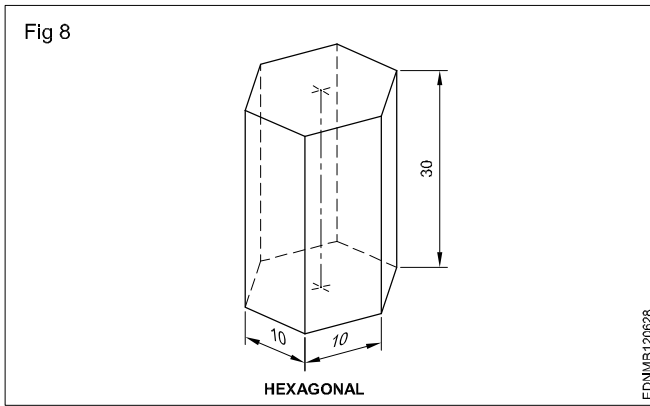
### Triangular Prism (Fig 6)



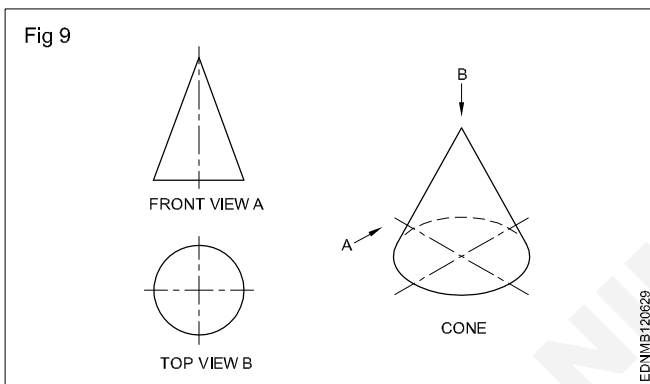
### Pentagonal prism (Fig 7)



### Hexagonal prism (Fig 8)



**Cone:** When a right-angled triangle revolves about one of its sides forming the right angle, a cone is generated. Cone forming has a circular face and a slant curved surface. (Fig 9)



**Pyramids:** Pyramids are polyhedron solids having a base surface whose shape may be triangular, square or polygon and as many slant triangular faces as there are sides in the base. All the slant triangular faces join at a common point called APEX.

Similar to prisms, pyramids also are known by the shape of their base viz triangular, square, rectangular, pentagonal, hexagonal etc. The imaginary line joining the centre of the base to the apex is called the AXIS.

Fig 10 shows some pyramids and their views.

When a semi-circle revolves about its diameter a sphere is generated. A sphere has no flat surface. (Fig 11D)

**Frustums:** Pyramid/cone is cut parallel to the base and the top portion is removed. The remaining bottom portion is called the frustum of a pyramid/cone.

If the cutting plane is at an angle to the axis/base, the pyramids or cones are called "Truncated pyramids or cones".

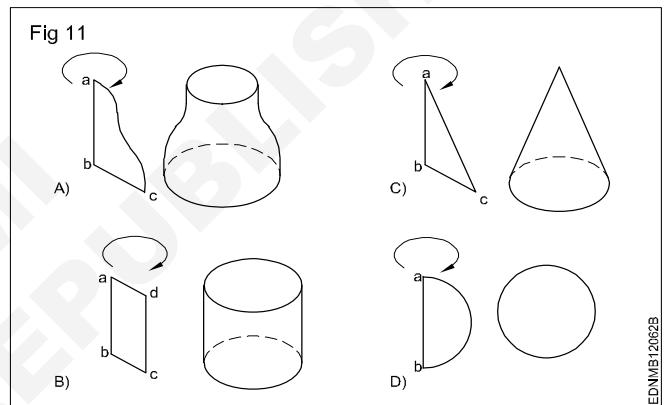
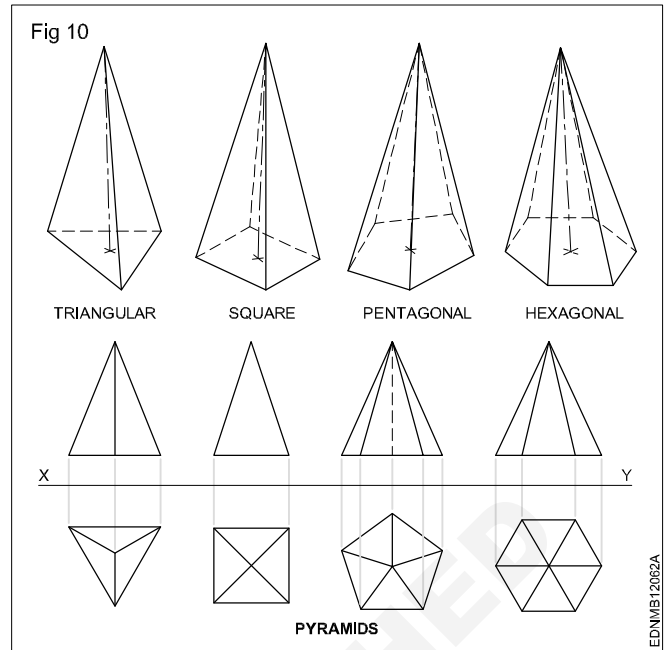
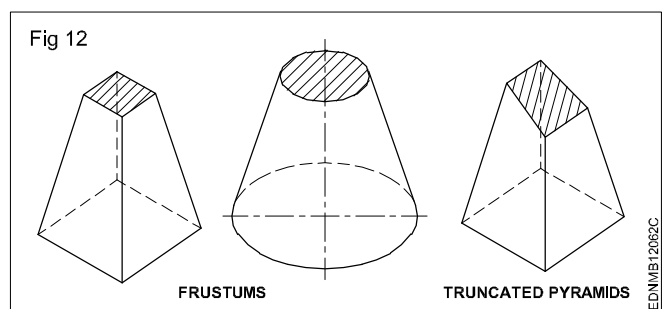
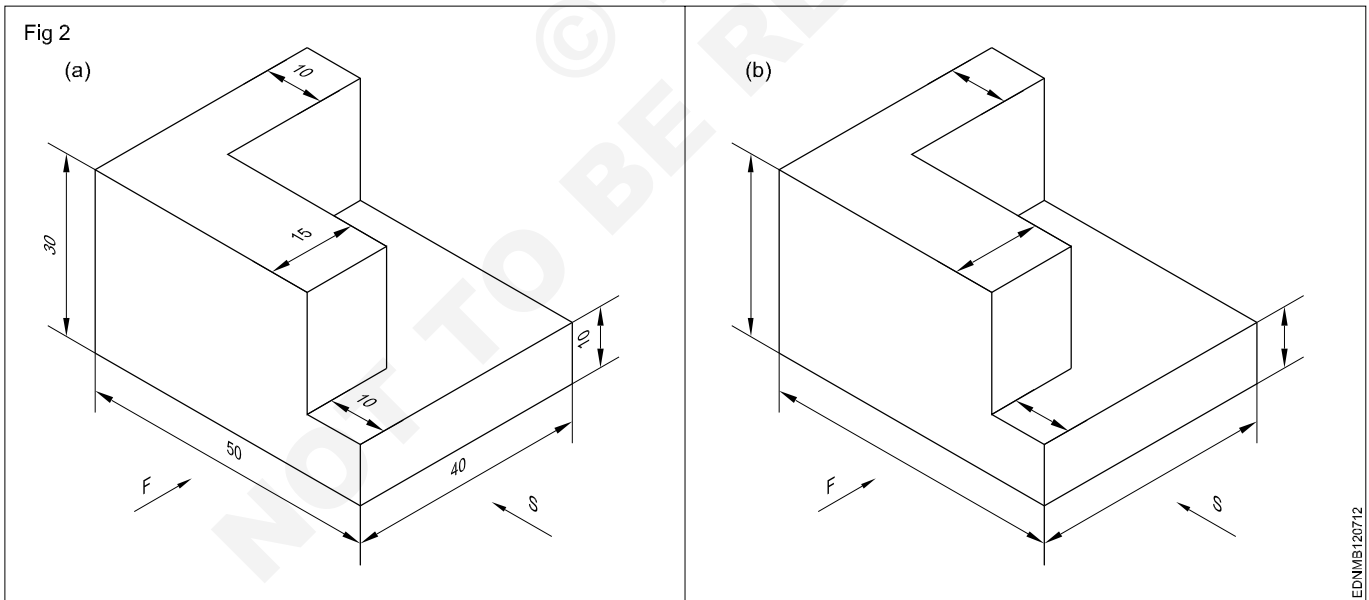
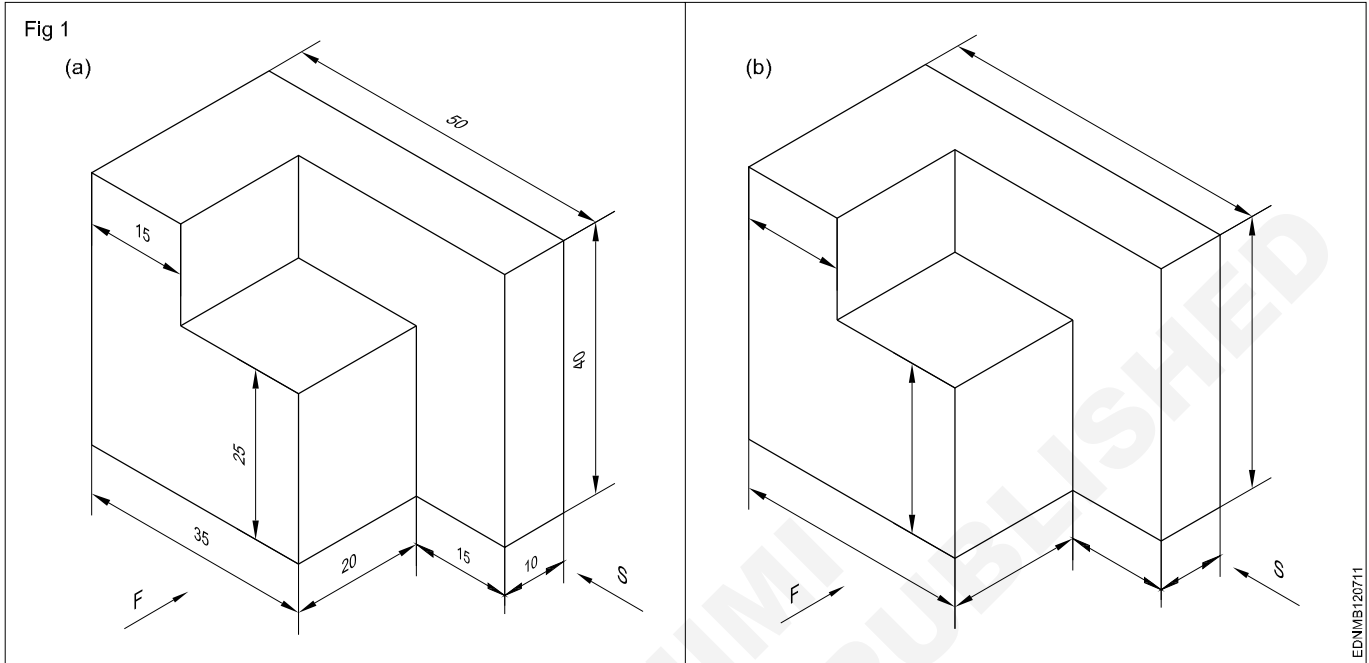


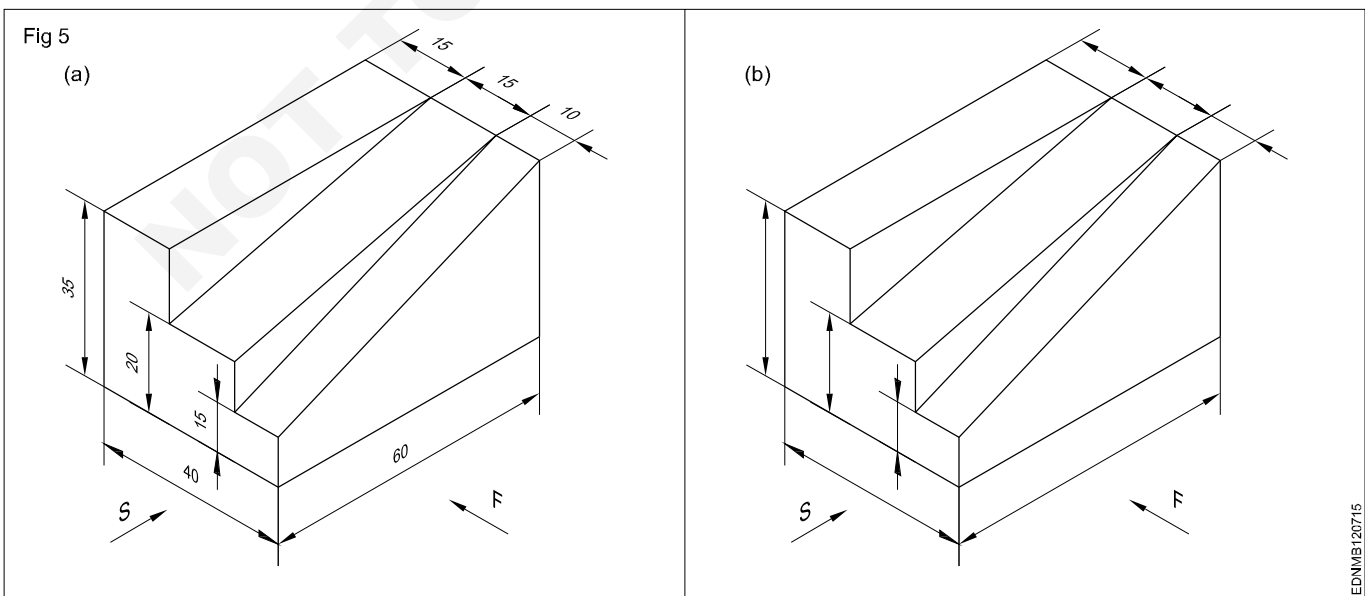
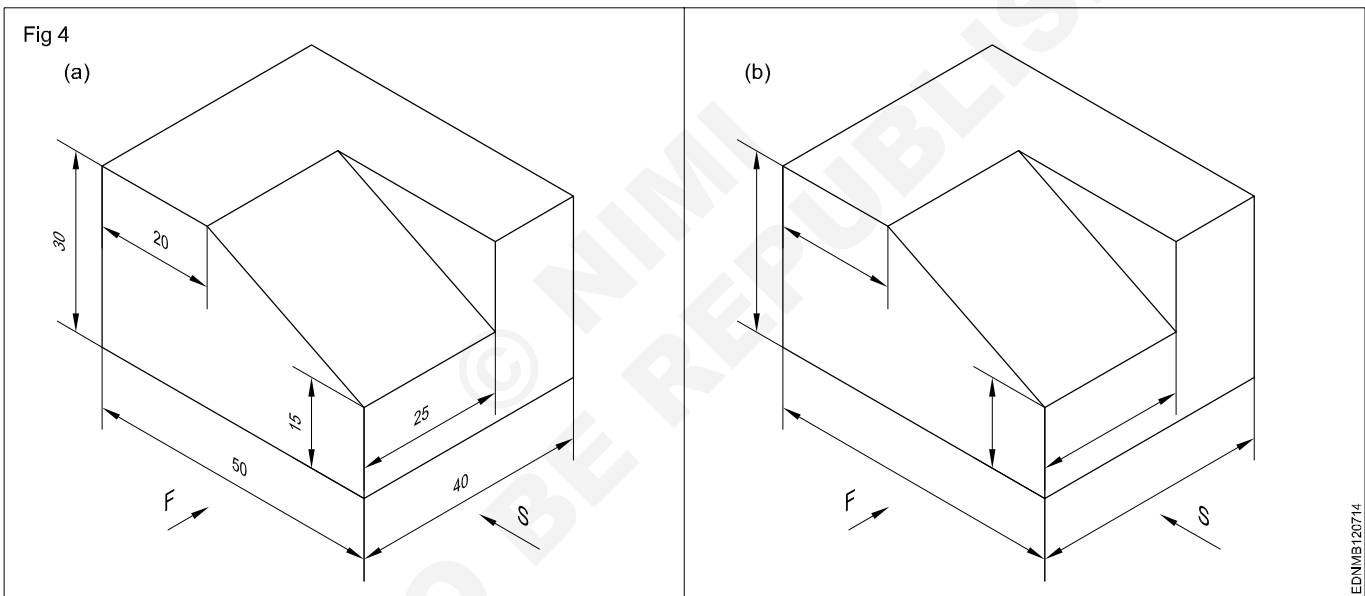
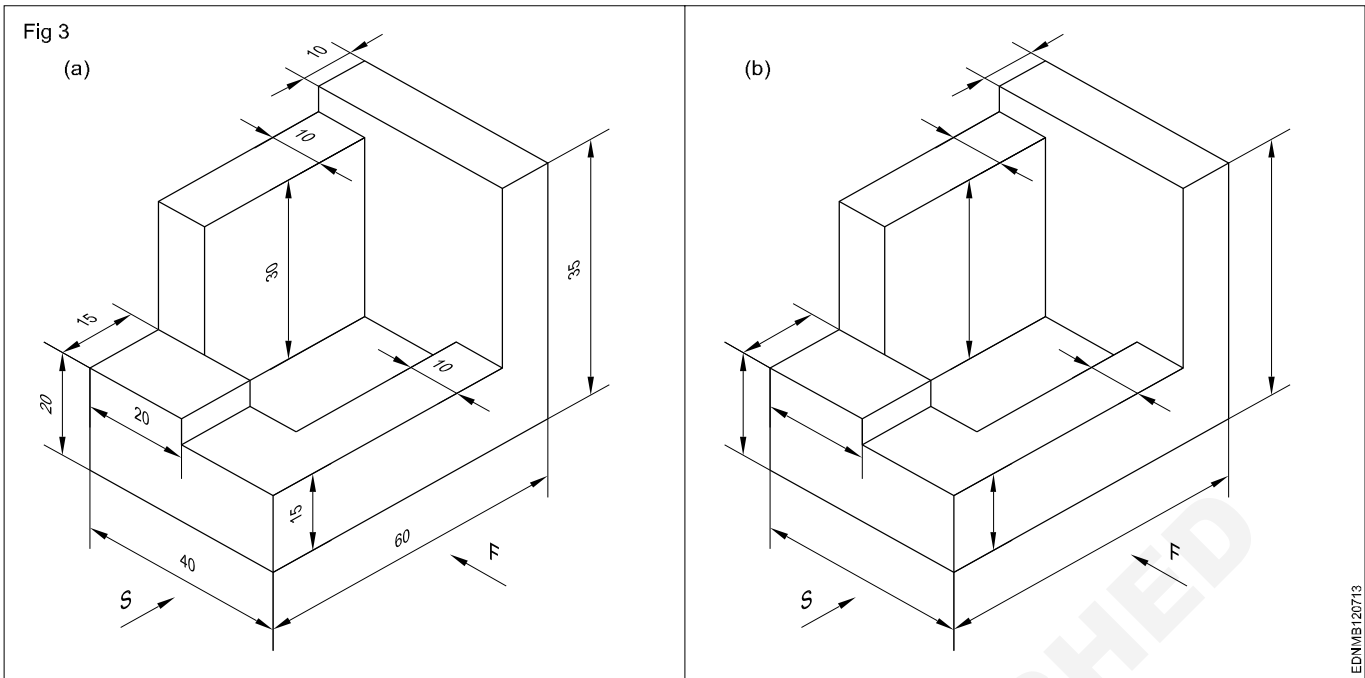
Fig 12 shows frustums and truncated pyramids.

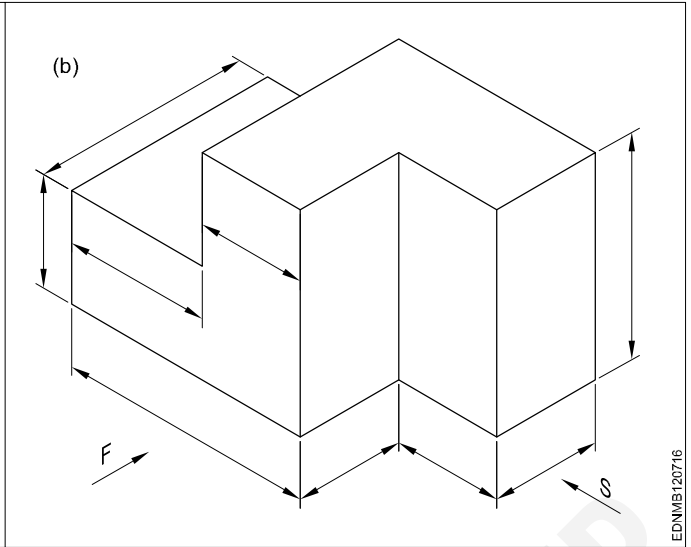
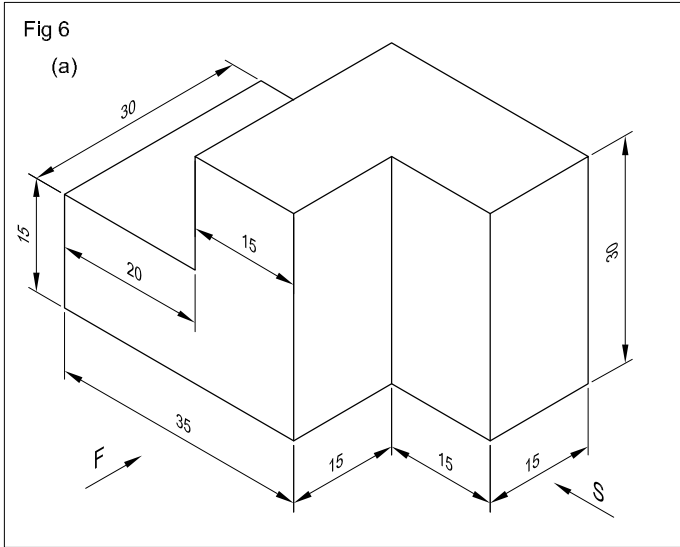
All items we use are solids. Their shapes may confirm individual geometrical solids like prisms, cones or other combinations.



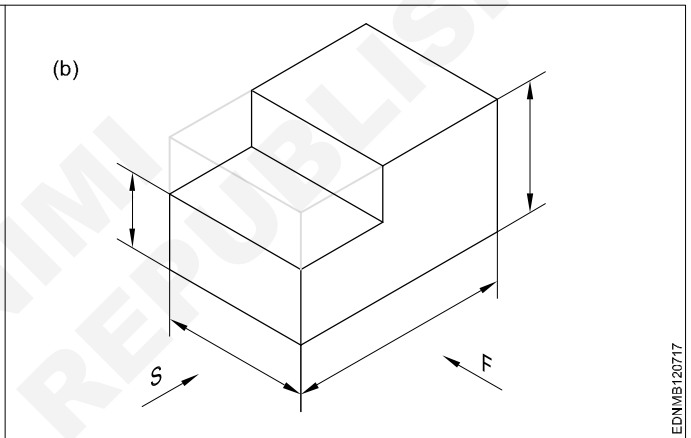
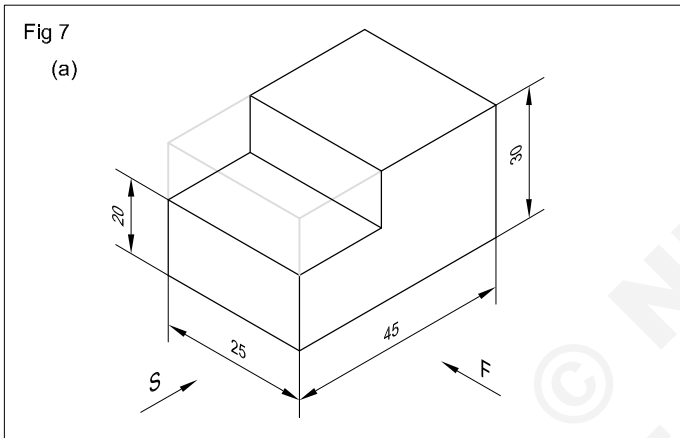
Free hand drawing of - Transferring measurement from the given object to the free hand sketches



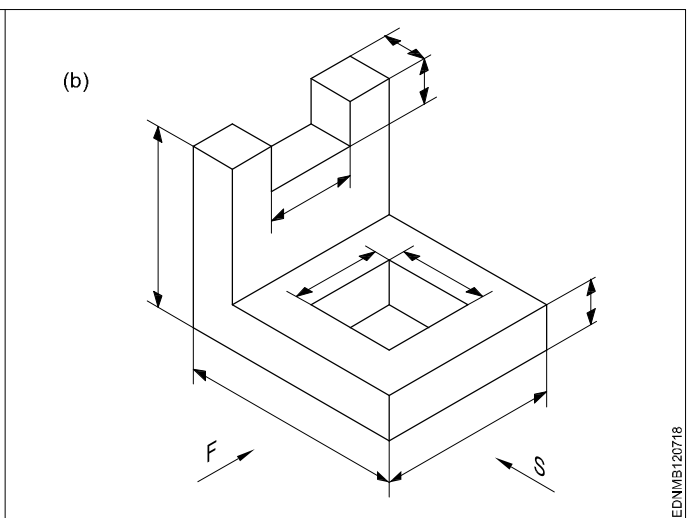
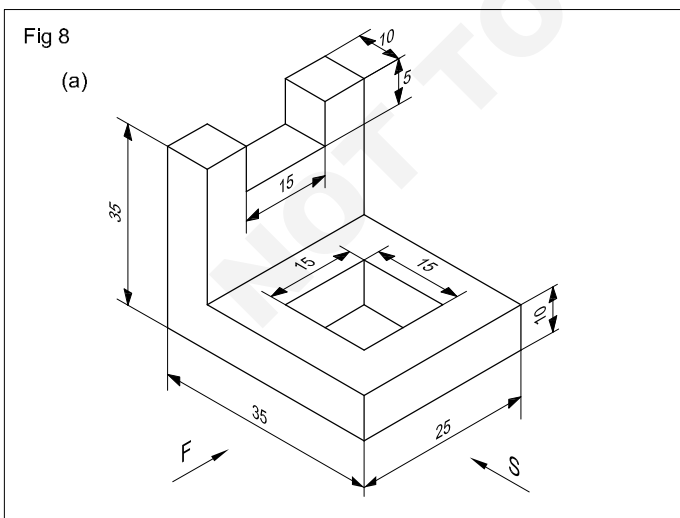




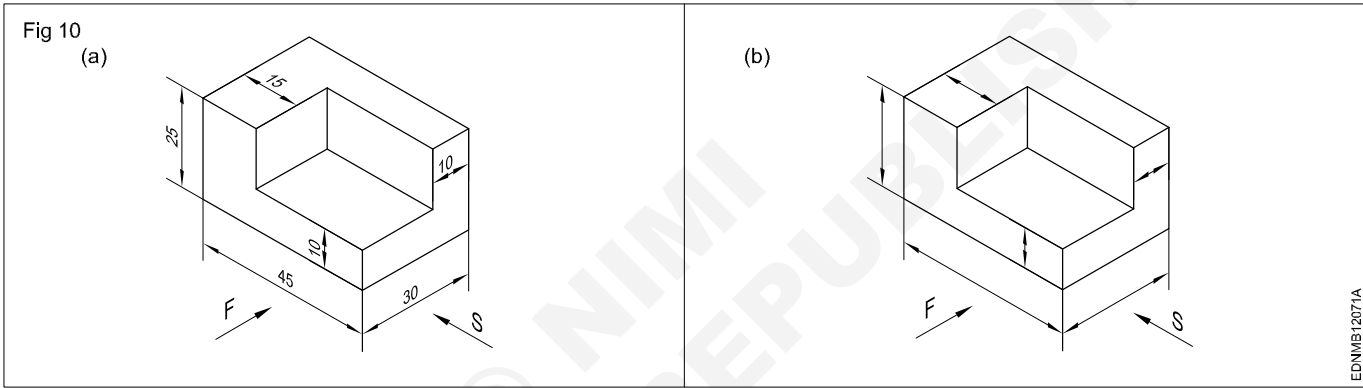
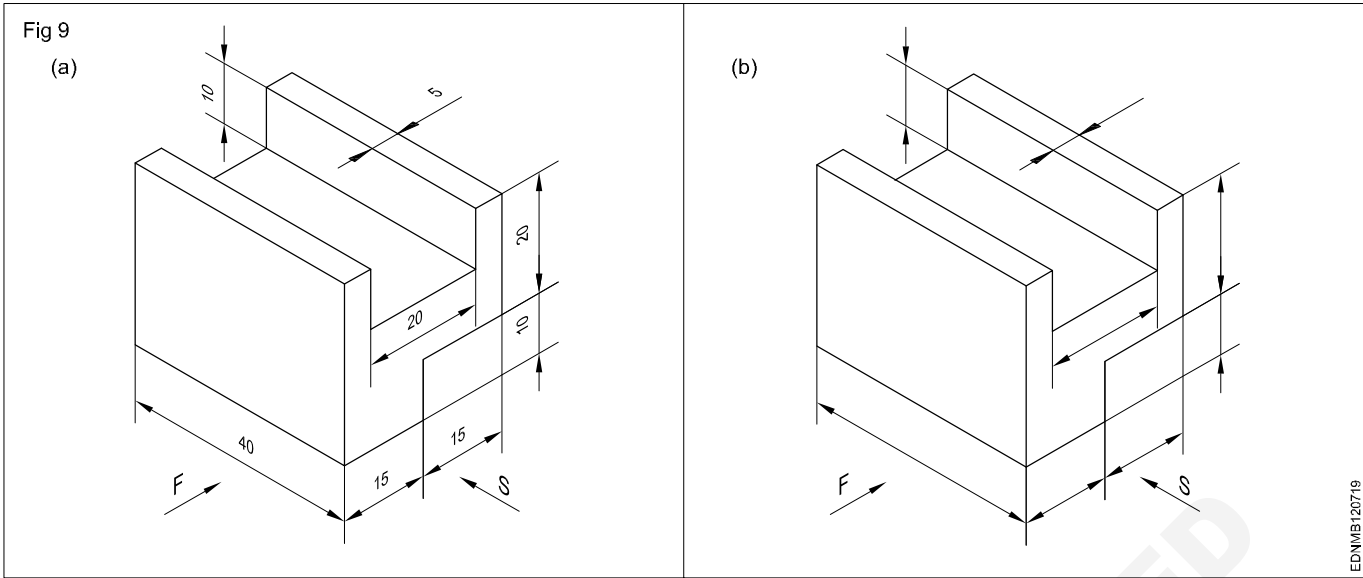
EDNMB120716



EDNMB120717



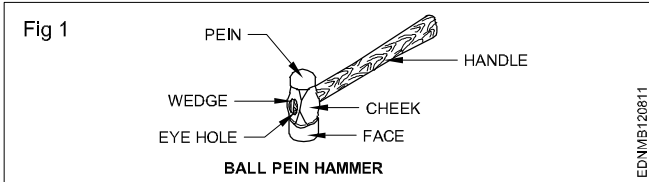
EDNMB120718



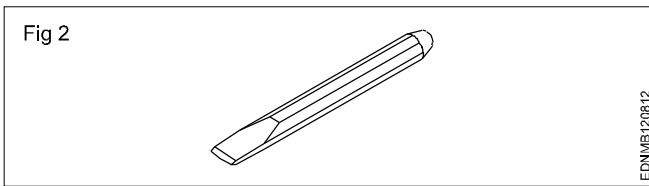
**Free hand drawing of hand tools and measuring tools**

**Hand Tools**

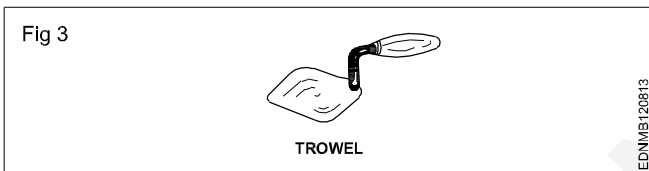
Ball pein hammer (Fig 1)



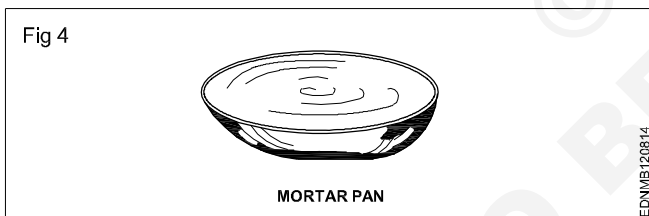
Chisel (Fig 2)



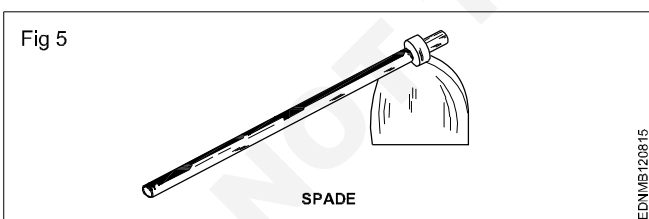
Trowel (Fig 3)



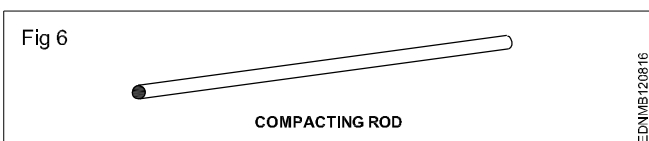
Mortar pan (Fig 4)



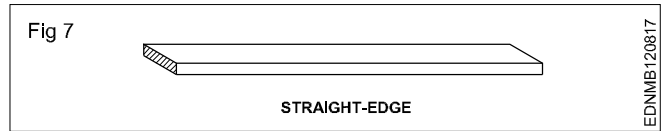
Spade (Fig 5)



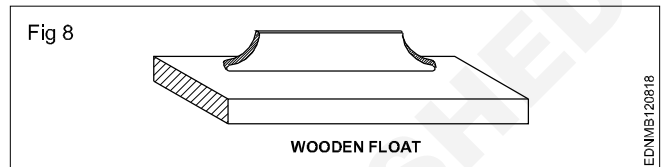
Compacting rod (Fig 6)



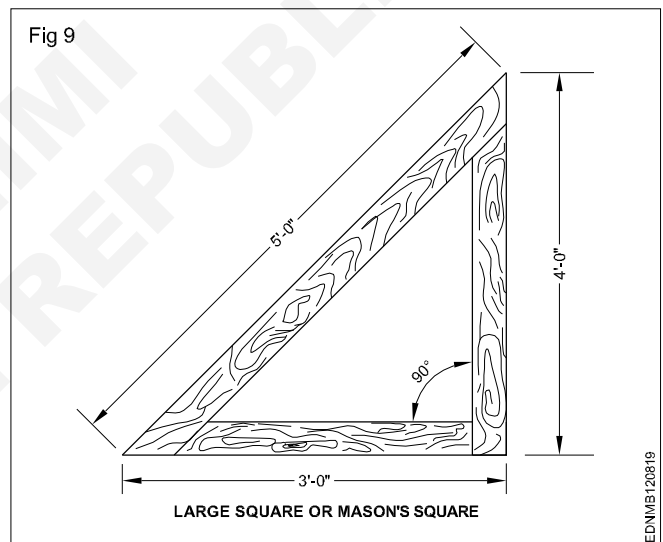
Straight-edge (Fig 7)



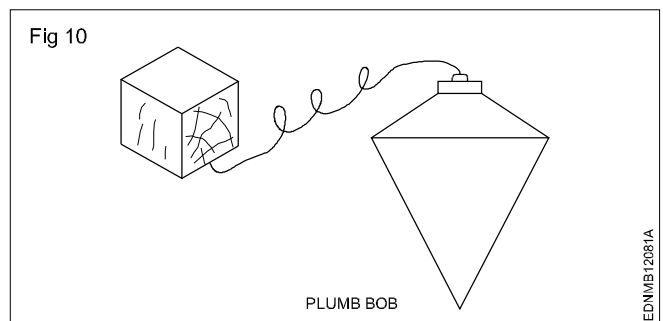
Wooden float (Fig 8)



Large square or mason's square (Fig 9)

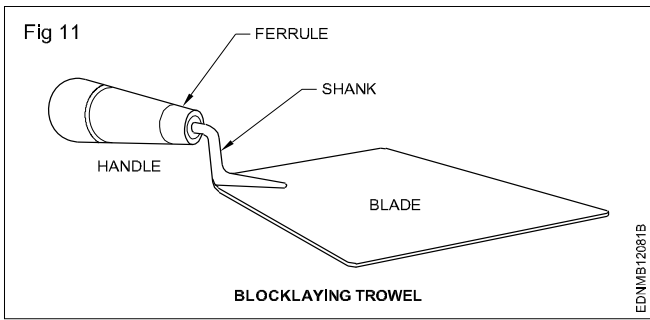


Plumb bob (Fig 10)

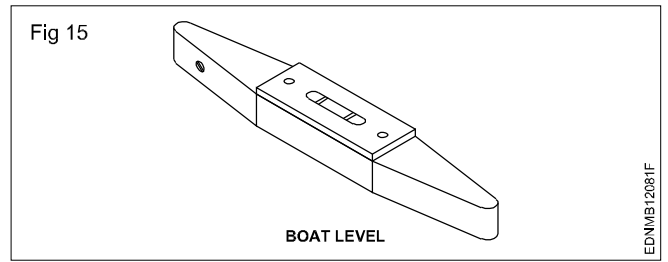




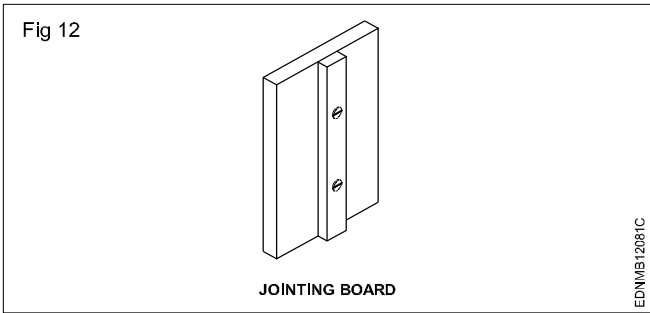
Blocklaying trowel (Fig 11)



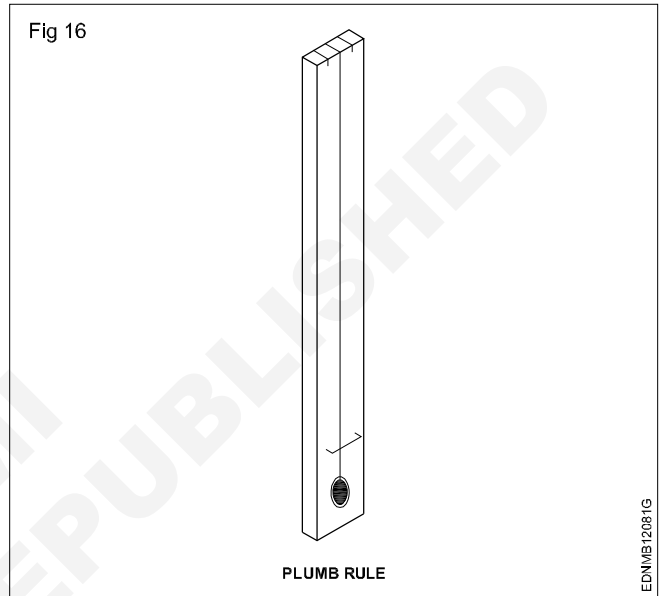
Boat level (Fig 15)



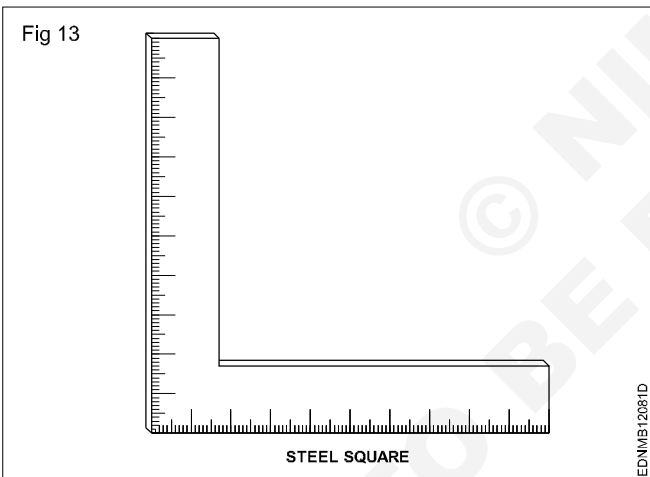
Jointing board (Fig 12)



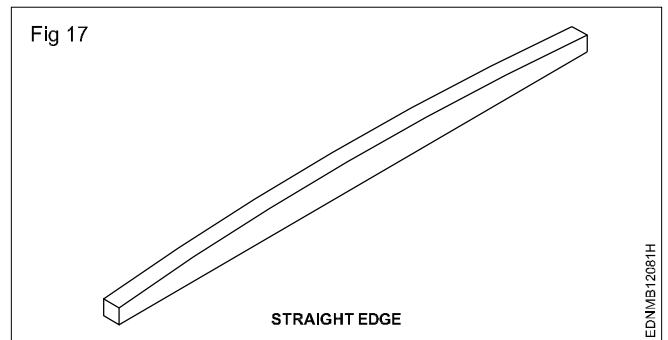
Plumb rule (Fig 16)



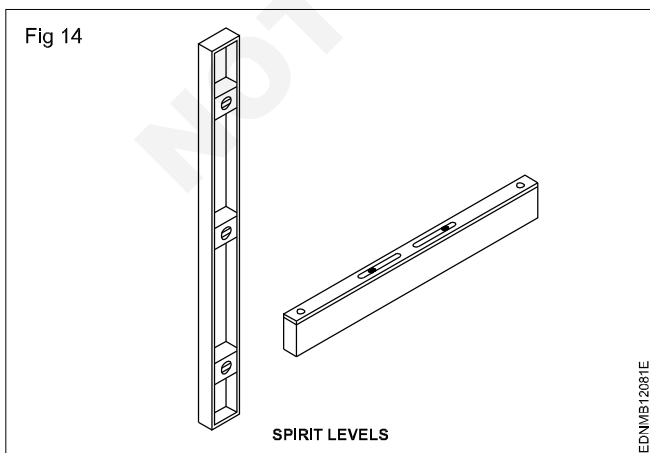
Steel square (Fig 13)



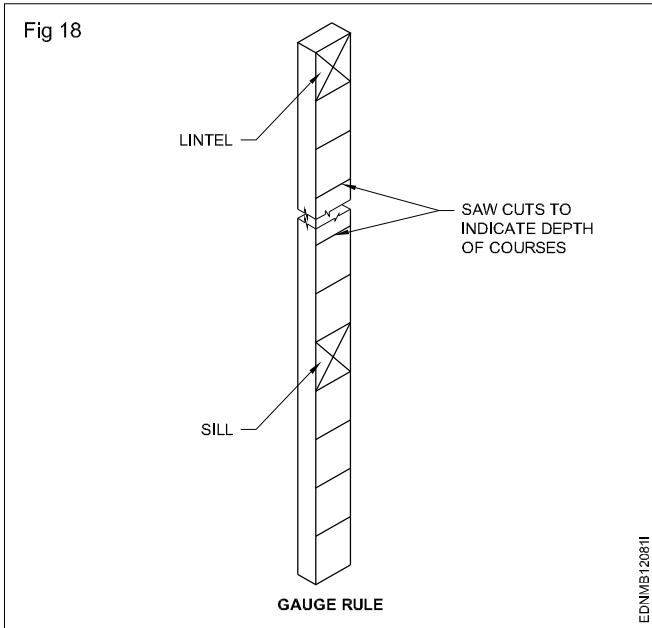
Straight edge (Fig 17)



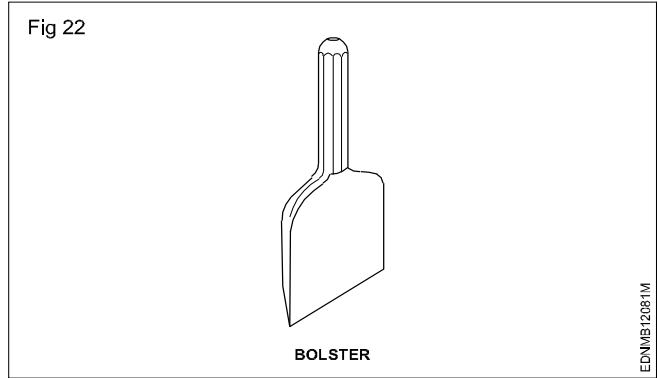
Spirit levels (Fig 14)



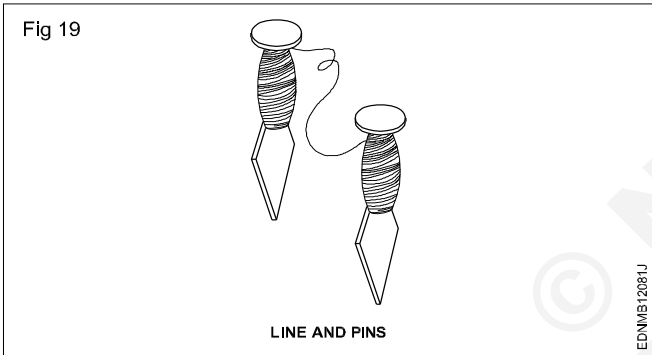
Gauge rule (Fig 18)



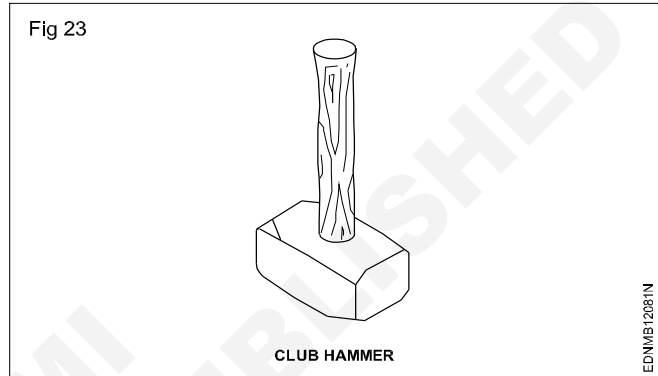
Bolster (Fig 22)



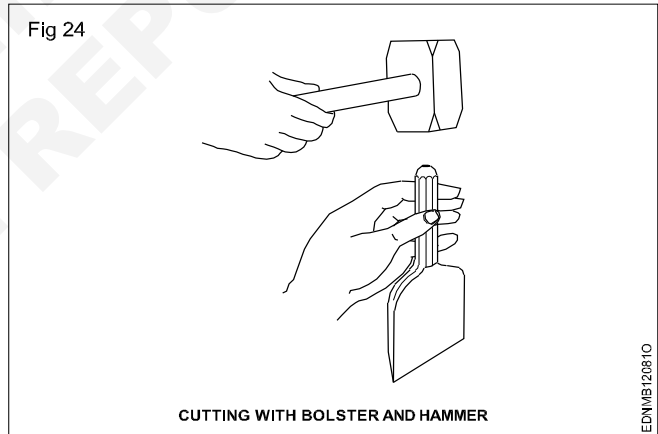
Line and pins (Fig 19)



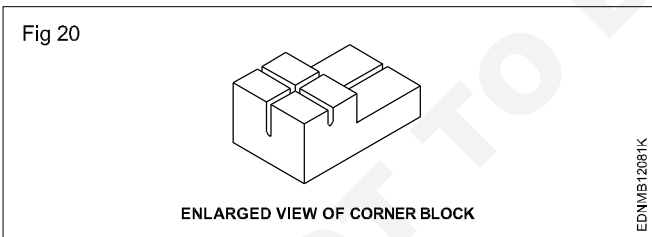
Club hammer (Fig 23)



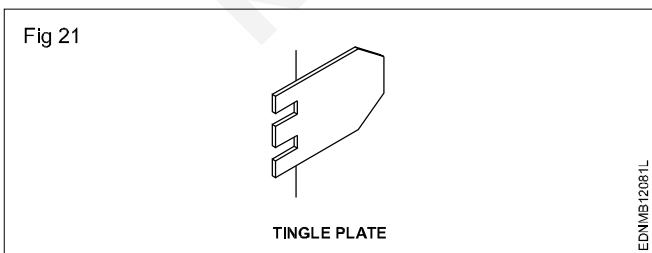
Cutting with bolster and hammer (Fig 24)



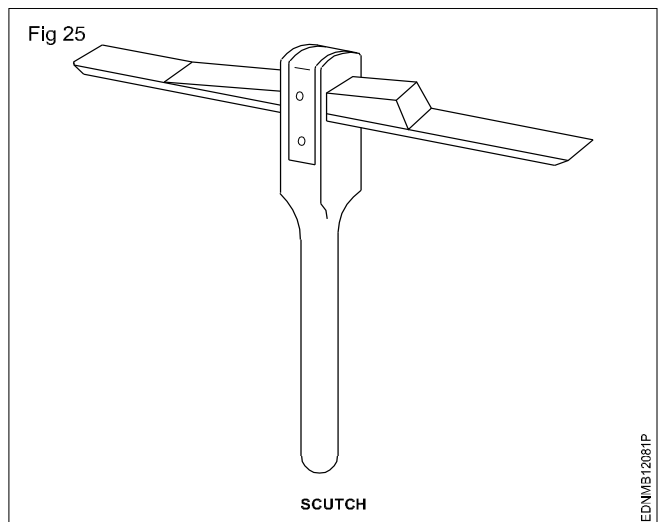
Enlarged view of corner block (Fig 20)



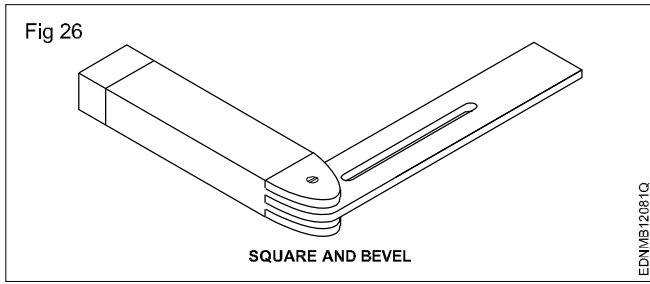
Tingle plate (Fig 21)



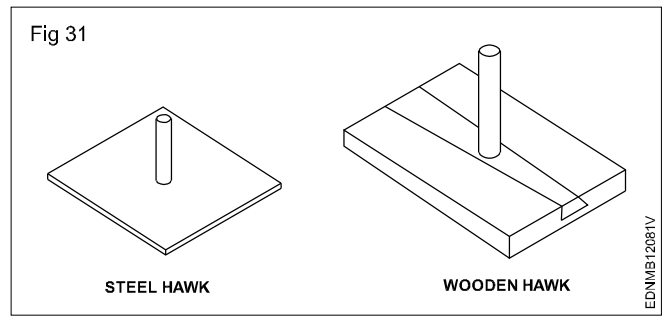
Scutch (Fig 25)



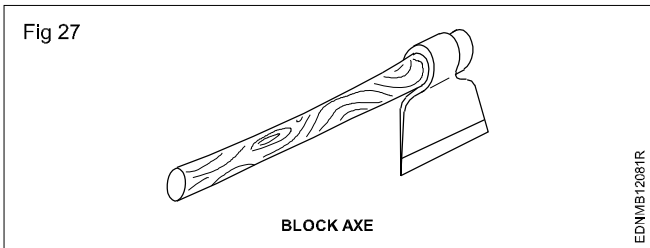
Square and bevel (Fig 26)



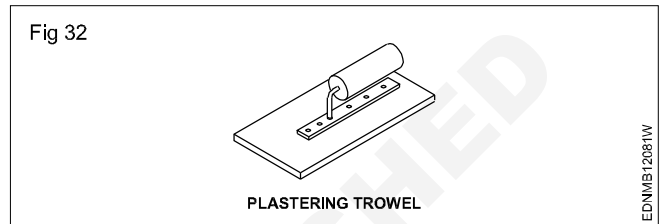
Hawk (Fig 31)



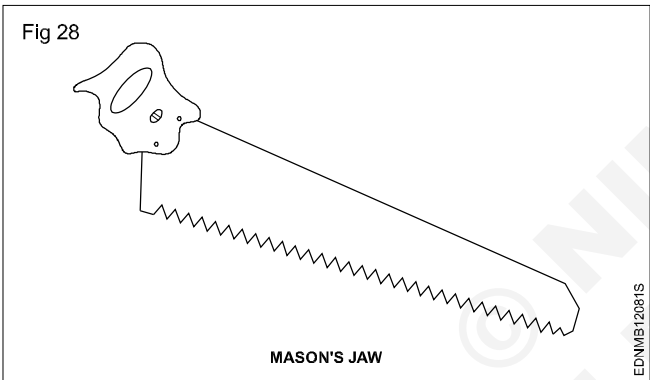
Block axe (Fig 27)



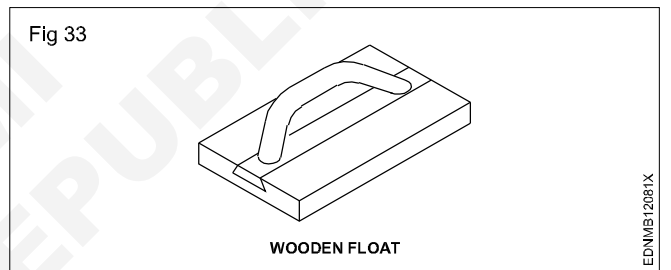
Plastering trowel (Fig 32)



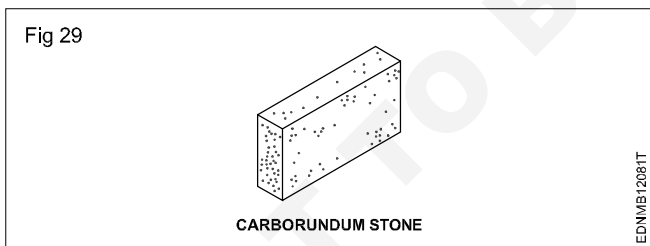
Mason's jaw (Fig 28)



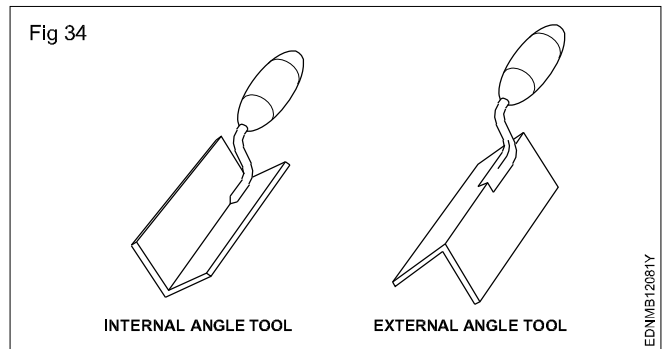
Wooden float (Fig 33)



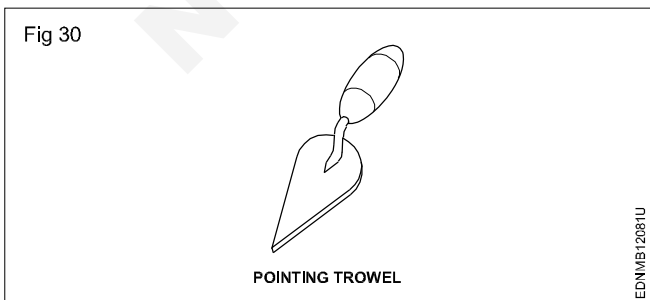
Carborundum stone (Fig 29)



Internal angle and External angle tool (Fig 34)



Pointing trowel (Fig 30)



Wire brush (Fig 35&36)

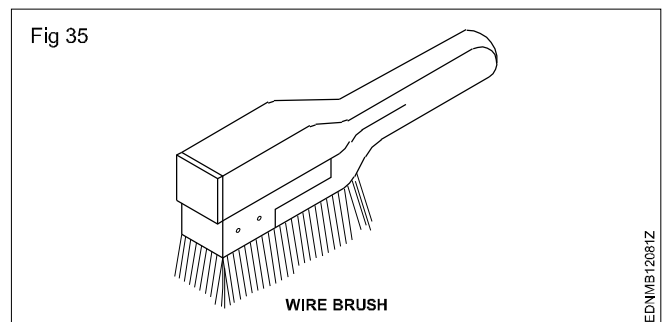
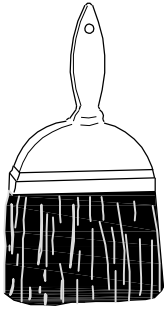


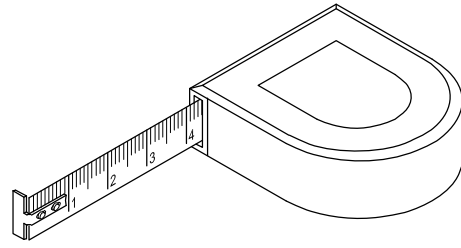
Fig 36



EDNMB12081Z1

Tape Measure (Fig 40)

Fig 40

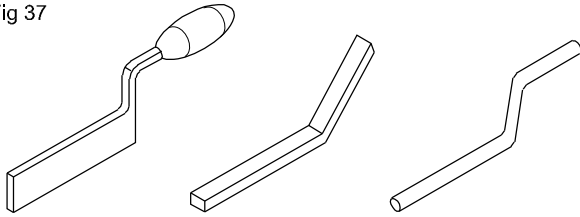


TAPE MEASURE

EDNMB12081Z5

Jointers (Fig 37)

Fig 37

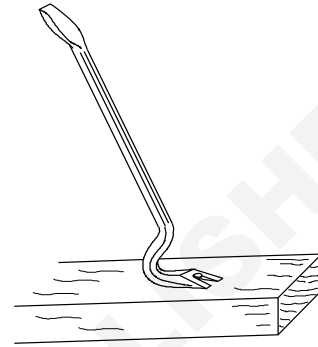


JOINTERS

EDNMB12081Z2

Crow bar (Fig 41)

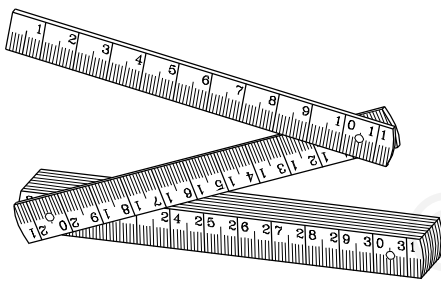
Fig 41



EDNMB12081Z6

Collapsible carpenter rule (Fig 38)

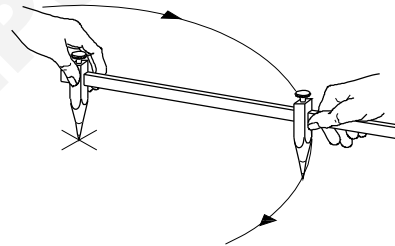
Fig 38



EDNMB12081Z3

Using the Trammel point (Fig 42)

Fig 42

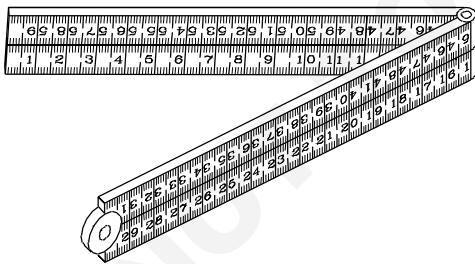


USING THE TRAMMEL POINT

EDNMB12081Z7

Folding rule (Fig 39)

Fig 39

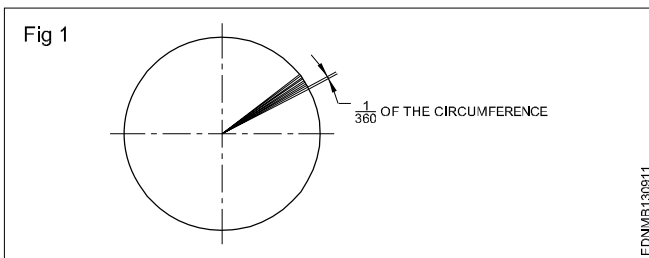


EDNMB12081Z4

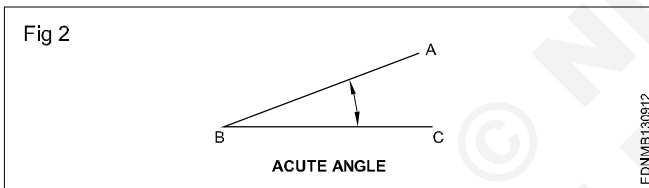
Drawing of geometrical figures - Angle & triangle

**Angles:** Angle is the inclination between two straight lines meeting at a point or meeting when extended. AB and BC are two straight lines meeting at B. The inclination between them is called an angle. The angle is expressed in degrees or radians.

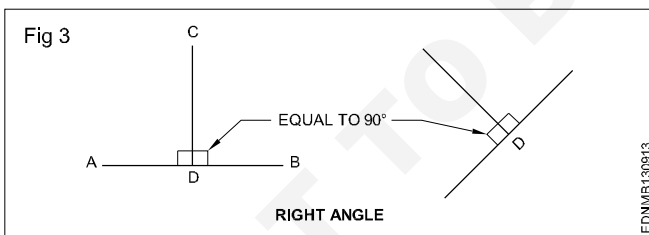
**Concept of a degree:** When the circumference of a circle is divided into 360 equal parts and radial lines are drawn through these points, the inclination between the two adjacent radial lines is defined as one degree. Thus a circle is said to contain 360°. (Fig 1)



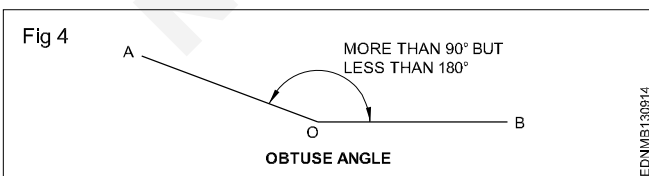
**Acute angle:** An angle that is less than 90° is called an acute angle. (Fig 2)



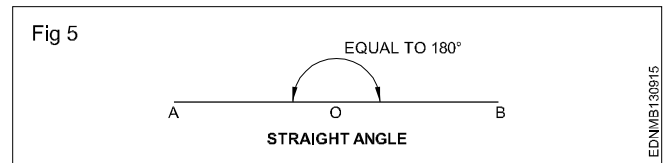
**Right angle:** The angle between a reference line and a perpendicular line is called a right angle. (Fig 3)



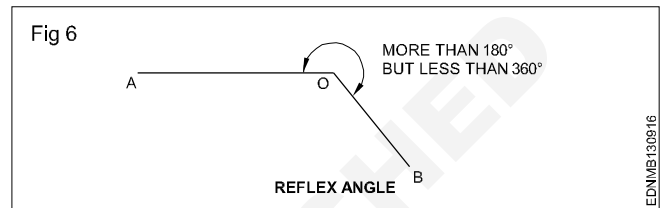
**Obtuse angle:** This refers to an angle between 90° and 180°. (Fig 4)



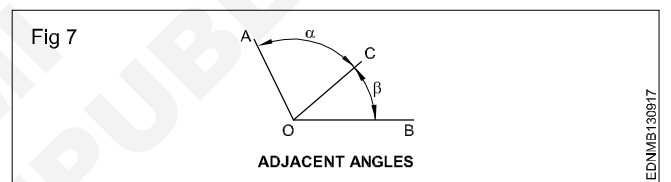
**Straight angle:** This refers to an angle of 180°. This is also called the angle of a straight line. (Fig 5)



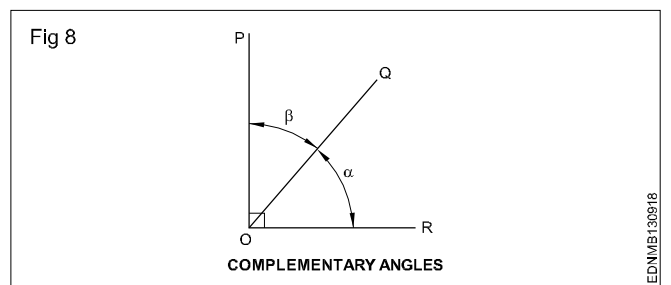
**Reflex angle:** It is the angle that is more than 180°, but less than 360°. (Fig 6)



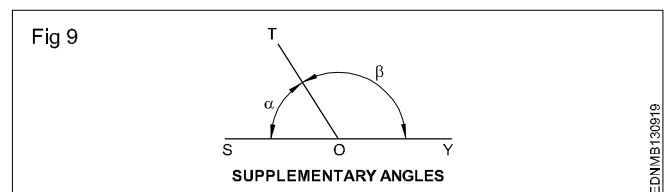
**Adjacent angles:** These are the angles lying on either side of a line. (Fig 7)



**Complementary angles:** When the sum of the two angles is equal to 90°, angle POQ + angle QOR = 90°. angle POQ and angle QOR are complementary angles to each other. (Fig 8)



**Supplementary angle:** When the sum of the two adjacent angles is equal to 180°, for example, angle SOT + angle TOY = 180°, angle SOT and angle TOY are supplementary angles to each other. (Fig 9)



## Triangle - different types

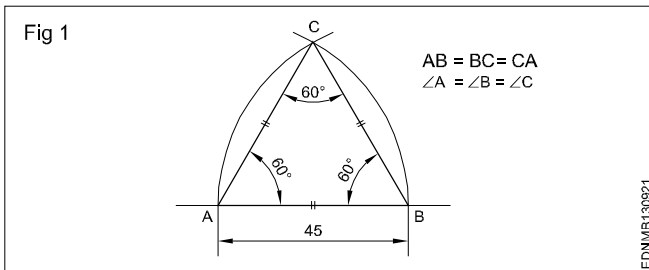
Triangle is a closed plane figure having three sides and three angles. The sum of the three angles always equals to  $180^\circ$ .

To define a triangle, we need to have a minimum of three measurements as follows:

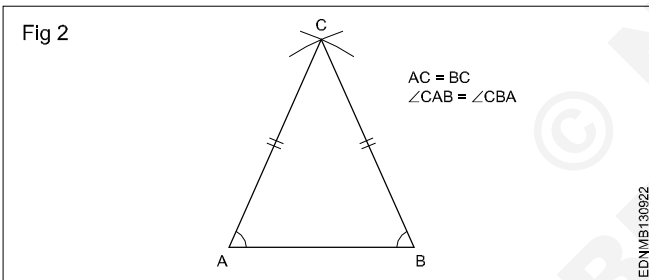
- 3 sides or
- 2 sides and one angle or
- 2 angles and one side

### Types of triangles

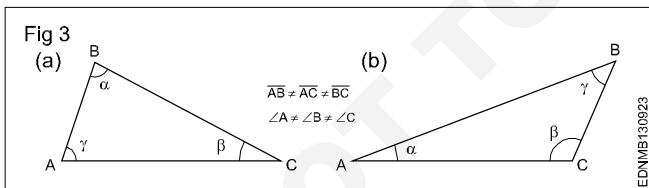
**1 Equilateral triangle** is a triangle having all the three sides equal. Also all the three angles are equal ( $60^\circ$ ). (Fig 1)



**2 Isosceles triangle** has two of its sides equal. The angles opposite the two equal sides are also equal. (Fig 2)



**3 Scalene triangle** has all three sides unequal in length. All three angles are also unequal. (Fig 3)



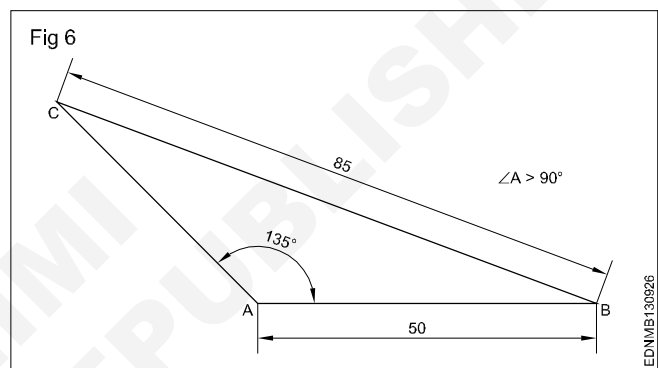
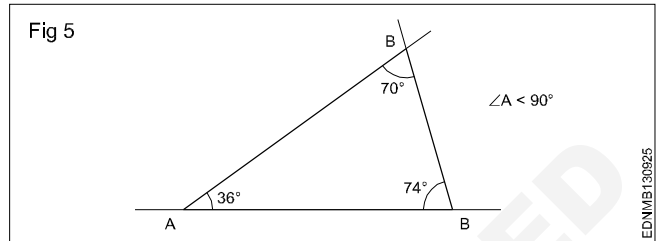
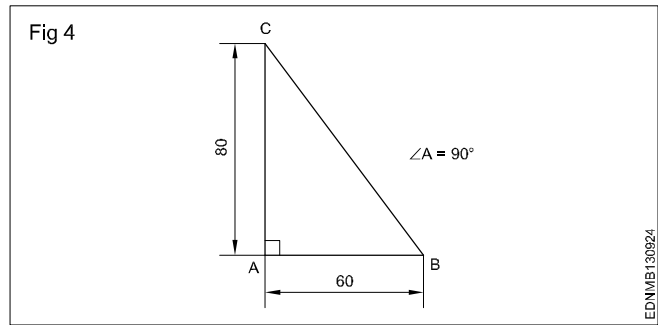
**4 A right-angled triangle** is one in which one of the angles is equal to  $90^\circ$  (Right angle). The side opposite the right angle is called the hypotenuse. (Fig 4)

**5 An Acute angled triangle** is one in which all the three angles are less than  $90^\circ$ . (Fig 5)

**6 Obtuse angled triangle** has one of the angles more than  $90^\circ$ . (Fig 6)

**The sum of the three angles in any triangle is equal to  $180^\circ$ .**

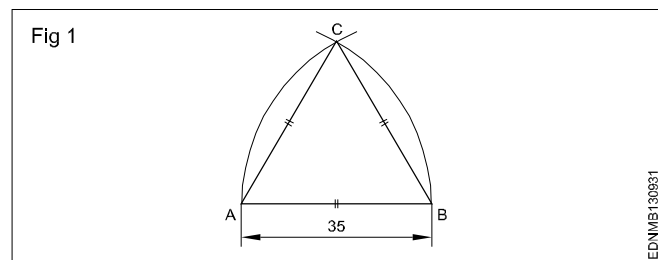
**The sum of any two sides is more than the third side.**



### Procedure to draw the triangle

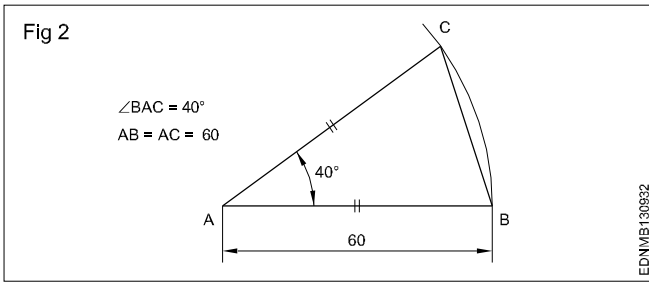
**1 Equilateral triangle (Fig 1)  $AB = BC = CA = 35$  mm.**

- Draw a line and mark AB 35 mm side of the triangle.
- Draw radius from centre A and B, arcs cutting mark at C (Fig 1).
- Join CA and CB.
- ABC is a required triangle.



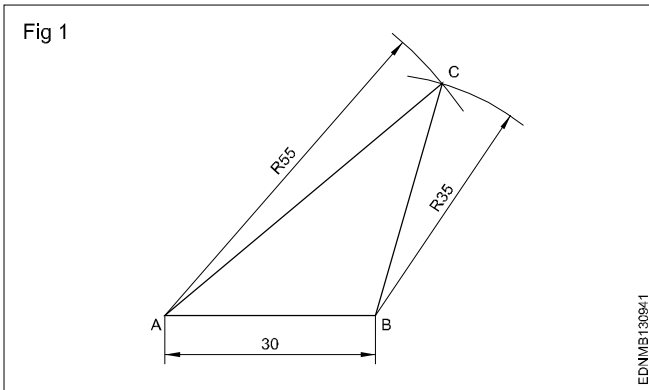
**2 Isosceles triangle :  $AB = AC = 60$  mm &  $\angle BAC = 40^\circ$ .**

- Draw the side AB equal to 60 mm. 'A' as the centre, draw an arc of radius AB.
- Draw a line AC at  $40^\circ$  to AB.
- Join BC to form the triangle ABC. (Fig 2)



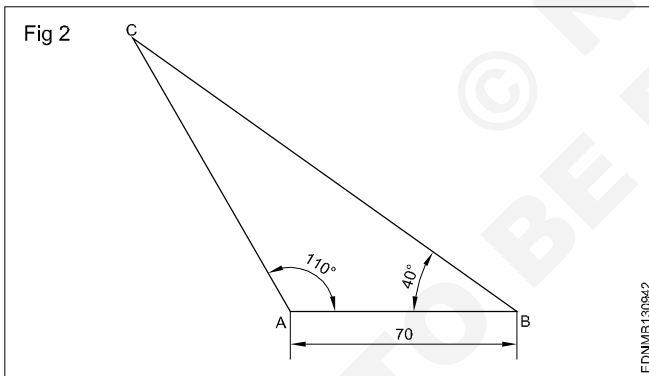
**Exercise**

- 1 **Scalene triangle:  $AB = 30$  mm,  $AC = 55$  mm &  $BC = 35$  mm. (Fig 1)**

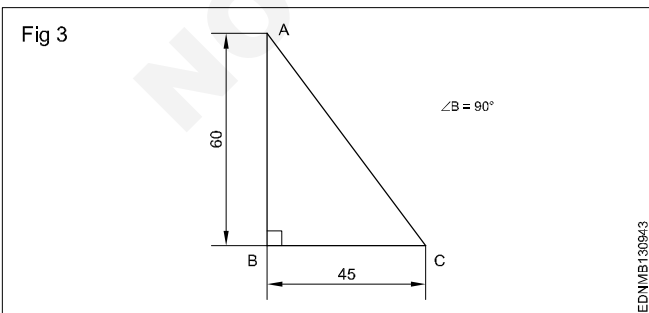


- 2 **Scalene triangle:  $AB = 70$  mm. (Fig 2)**

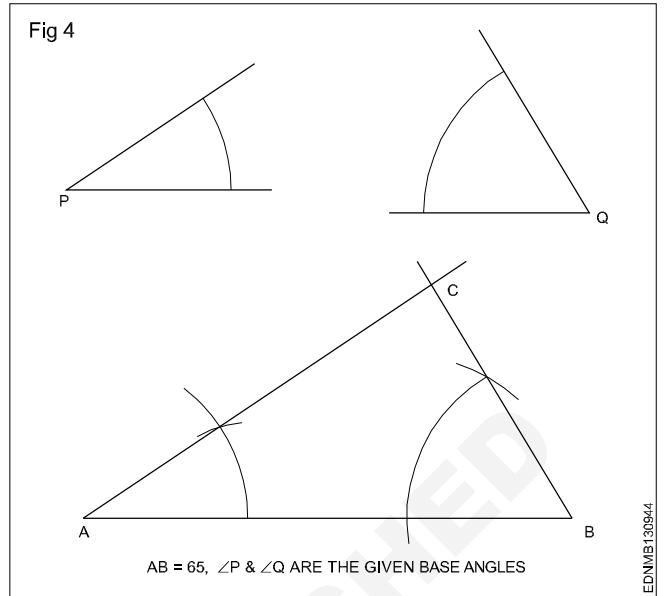
$\angle ABC = 40^\circ$  &  $\angle BAC = 110^\circ$



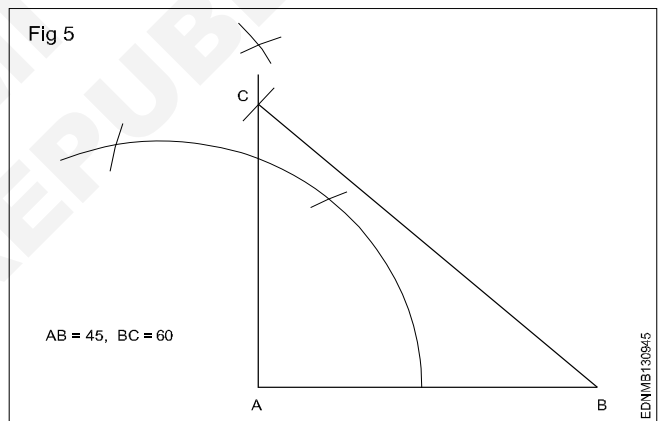
- 3 **Right angled triangle:  $AB = 60$  mm,  $BC = 45$  mm. (Fig 3)**



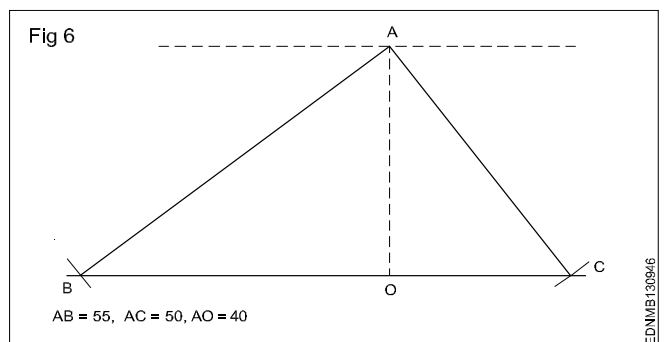
- 4 **Draw a triangle when one side and 2 angles being given in Fig 4.**



- 5 **Draw a right angled triangle when the base and hypotenuse being given in Fig 5.**



- 6 **Draw a triangle with the altitude and two sides being given in Fig 6.**



Drawing of geometrical figures - Circle

**Circle:** Circle is a plane figure bounded by a curve, formed by the locus of a point which moves so that it is always at a fixed distance from a stationary point the "Centre".

**Radius:** The distance from the centre to any point on the circle is called the "Radius".

**Diameter:** The length of a straight line between two points on the curve, passing through the centre is called the "Diameter". (D: Dia or d) It is twice the radius.

**Circumference:** It is the linear length of the entire curve, equal to  $\pi D$ .

**Arc:** A part of the circle between any two points on the circumference or periphery is called an 'Arc'.

**Chord:** A straight line joining the ends of an arc is called the chord. (Longest chord of the circle is the diameter)

**Segment:** A part of the circle or area bound by the arc and chord is the segment of the circle.

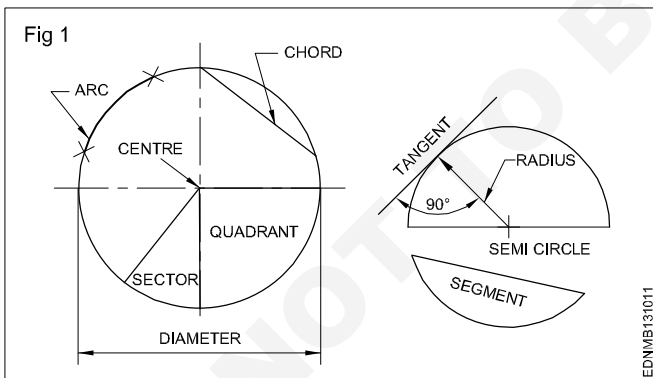
**Sector:** It is the part of a circle bounded by two radii (plural of radius) meeting at an angle and an arc.

**Quadrant:** Part of a circle with radii making  $90^\circ$  with each other is a quadrant (one-fourth of the circle).

Half of the circle is called a semi-circle.

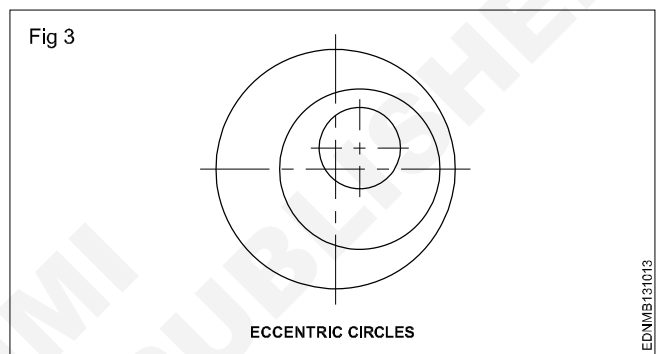
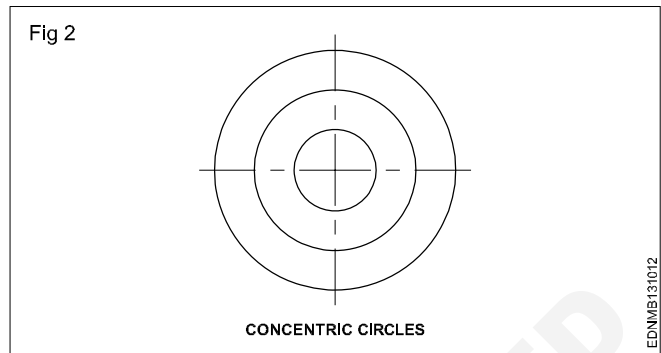
**Tangent:** The tangent of a circle is a straight line just touching the circle at a point. It does not cut or pass through the circle when extended.

Fig 1 shows all the above elements.



**Concentric circles:** When two or more circles (drawn) have a common centre, they are called concentric circles. Ball-bearing is the best example of concentric circles. (Fig 2)

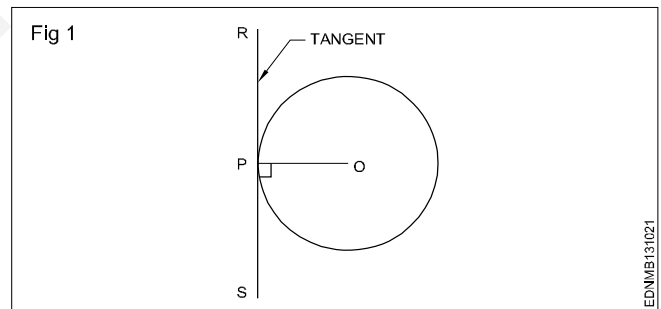
**Eccentric circles:** Circles within a circle but with different centres are called eccentric circles. (Fig 3)



Circle and Arcs

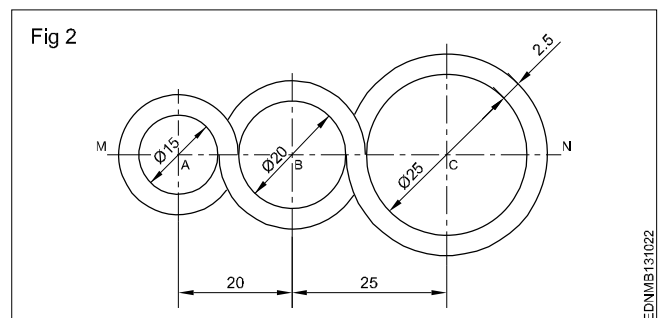
Exercise

1 Draw a tangent to a given circle of  $\phi$  50 mm at any point 'P' on it. (Fig 1)



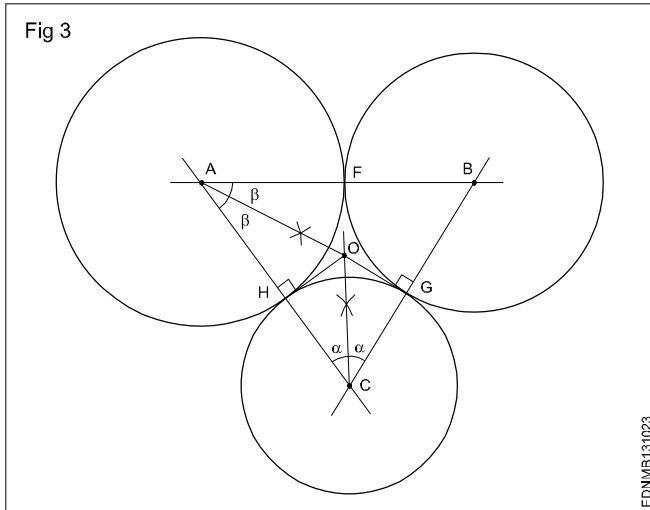
2 Draw a loop of 3 circles pattern. (Fig 2)

Draw any line MN and mark points A, B and C. So that AB = 20 mm and BC = 25 mm.

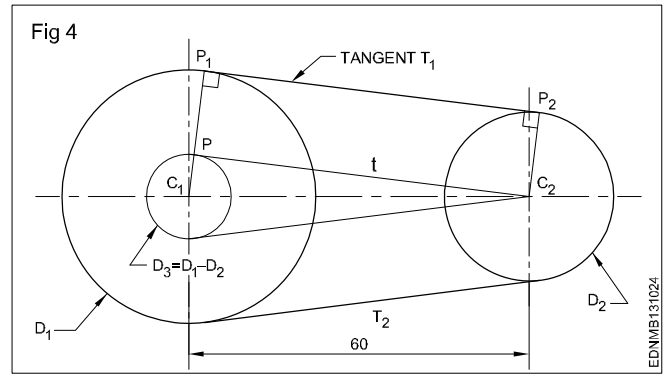




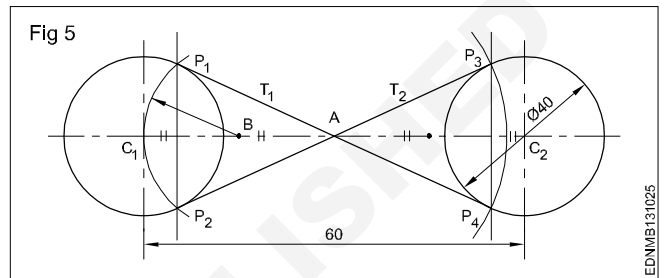
3 3 Draw three circles tangential to each other if centres A, B & C are given. (Fig 3)



4 Draw external tangents to circles of dia 40 and 30 and centre distance 60 mm. (Fig 4)

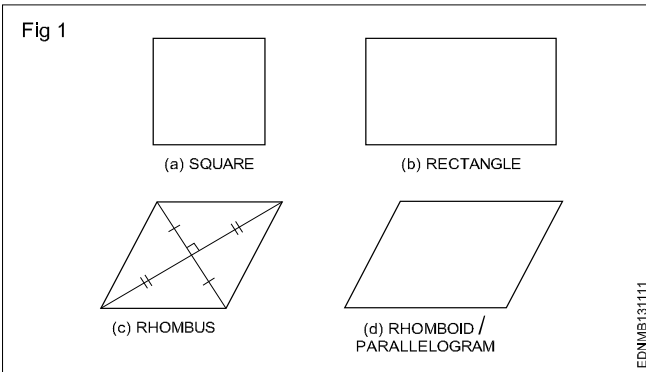


5 Draw internal tangents to circles of the same diameter 40 each and a centre distance of 60 mm. (Fig 5)



Drawing of geometrical figures - Square, rectangle and parallelogram

A quadrilateral is a plane figure bounded by four sides and four angles. The sum of the four angles in a quadrilateral is (interior angles) equal to  $360^\circ$ . The side joining opposite corners is called diagonal. To construct a quadrilateral out of four sides, four angles and two diagonals a minimum of five dimensions are required of which two must be sides. Quadrilaterals are also referred as Trapezium. (Fig 1)



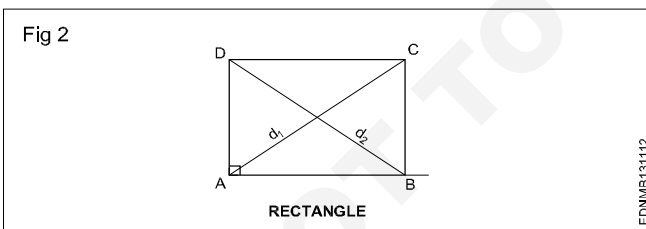
Types of quadrilaterals (Fig 1)

- Square
- Rectangle
- Rhomboid / Parallelogram

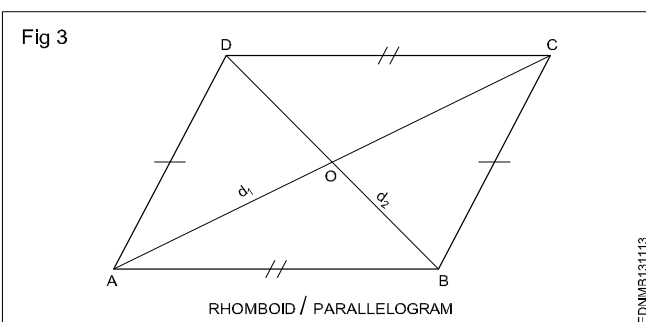
**Square:** In a square all the four sides are equal and its four angles are at right angles. The two diagonals are equal and perpendicular to each other.

**Rectangle (Fig 2):** In a rectangle, opposite sides are equal and parallel and all four angles are right angles.

Fig 2 shows a rectangle ABCD, Sides  $AB = DC$  and  $BC = AD$ . Diagonals AC and BD are equal. Diagonals are not bisected at right angles.



**Rhomboid/Parallelogram (Fig 3):** In a parallelogram, opposite sides are equal and parallel. Opposite angles are also equal. Diagonals are not equal but bisect each other.

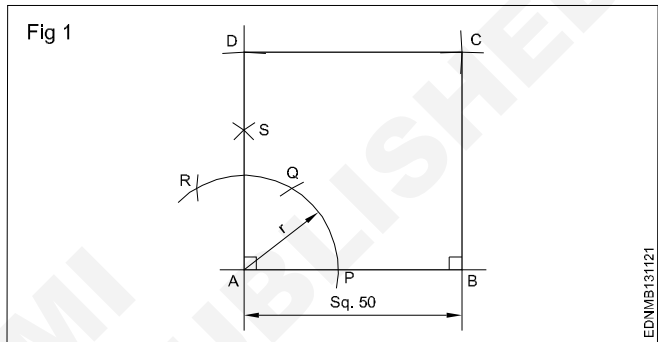


Procedure to draw the square, rectangle and parallelogram

Square

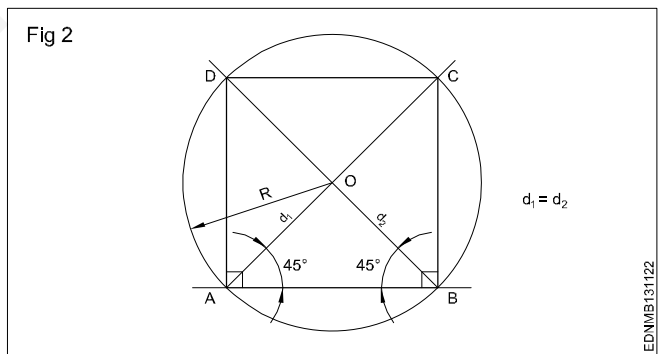
1 **1st method (Fig 1):** A square of side 50 mm by erecting perpendicular using compass and  $45^\circ$  set square.

Draw a line 50mm. 'A' as centre draw an arc of convenient radius. Same arc cut and mark as PQR. Draw a line perpendicular, mark 50mm and make a square as shown in figure.

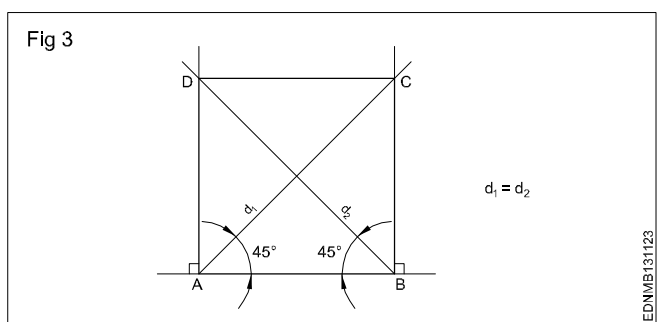


2 **2nd method (Fig 2):** A square of side 60 mm using  $45^\circ$  setsquare and compass.

Draw a horizontal line  $AB = 60$  mm. From point 'A' & 'B' using  $45^\circ$  setsquare draw diagonal and circle of radius OA with centre 'O'. Join points AD, DC & CB to complete the required square.

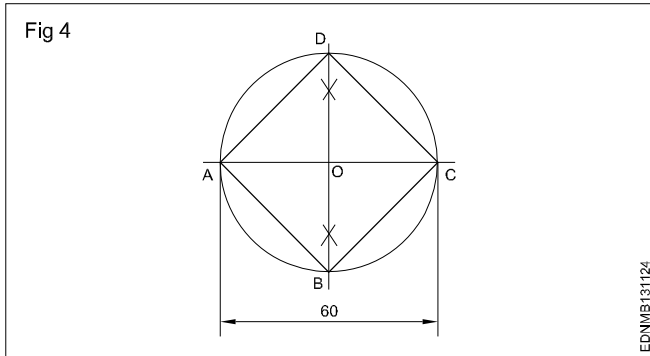


3 **3rd method (Fig 3):** A square of side 60 mm long by erecting perpendicular and also using  $45^\circ$  setsquare. Mark AD, BC and join ABCD to get the required square.



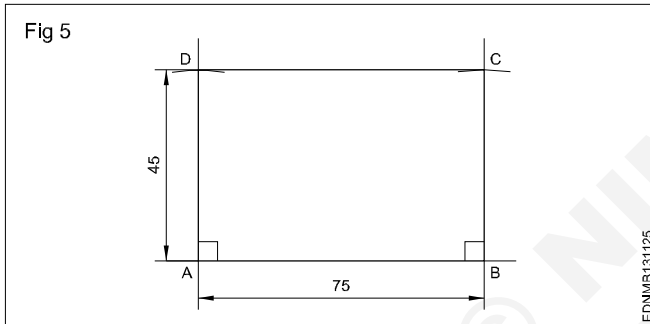
#### 4 Square having diagonal 60 mm (Fig 4)

Draw horizontal and vertical centre lines intersect at 'O' and make a circle. Join all the points ABC&D to get the required square.



#### 5 Rectangle (Fig 5)

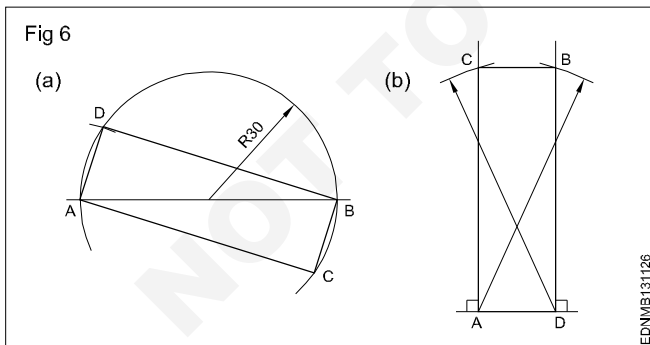
Draw AB = 75 mm and side AD = 45 mm using setsquare and compass. Draw BC = 45 mm using setsquare and compass. Join ABCD to get the required rectangle.



#### 6 Rectangle - Diagonal - 60 mm and one side 20 mm 1st method (Fig 6a)

2nd method (Fig 6b)

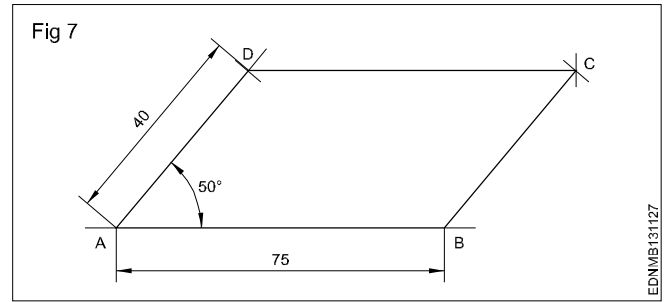
ADBC is the required rectangle of side 20 mm and diagonal 60 mm by using setsquare and compass.



#### 7 Parallelogram (Fig 7)

Sides = 75 mm and 40 mm, angle 50°

- Draw line AD equal to 40 mm and 50° angle to AB.
- 'D' as centre, draw an arc of radius equal to AB.
- 'B' as centre, draw an arc of radius equal to AD, upwards such that they meet at a point 'C'. Join ABCD to get the required parallelogram.



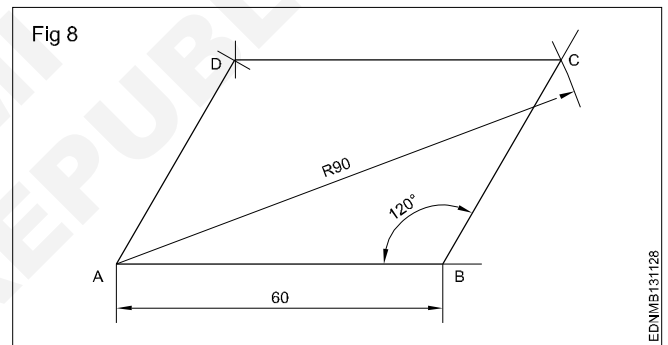
#### 8 Parallelogram (Fig 8)

Parallelogram - Side AB = 60 mm

Diagonal AC = 90 mm  $\angle ABC = 120^\circ$

- Draw a line AB = 60 mm. Draw a line from B to an angle 120° to AB.
- 'A' as centre with radius 90 mm, draw an arc cutting 120° line from 'B' at 'C'.
- 'C' as centre, radius = AB, draw an arc.
- 'A' as centre and BC as radius, draw another arc, both arcs meet at 'D'. Join AD and DC.

ABCD is the required parallelogram.

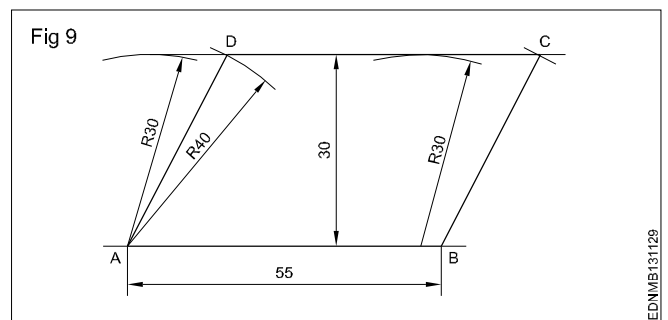


#### 9 Parallelogram (Fig 9)

Sides AB = 55 mm, BC = 40 mm and vertical height = 30 mm.

- Draw the line AB = 55 mm long.
- 'A' and 'B' as centres and radius (R) 30 mm, draw arcs above the line.
- Draw a parallel tangential line to AB touching the arcs.
- 'A' and 'B' as centres, draw an arc of 40 mm radius cutting the line at 'D' and 'C'.

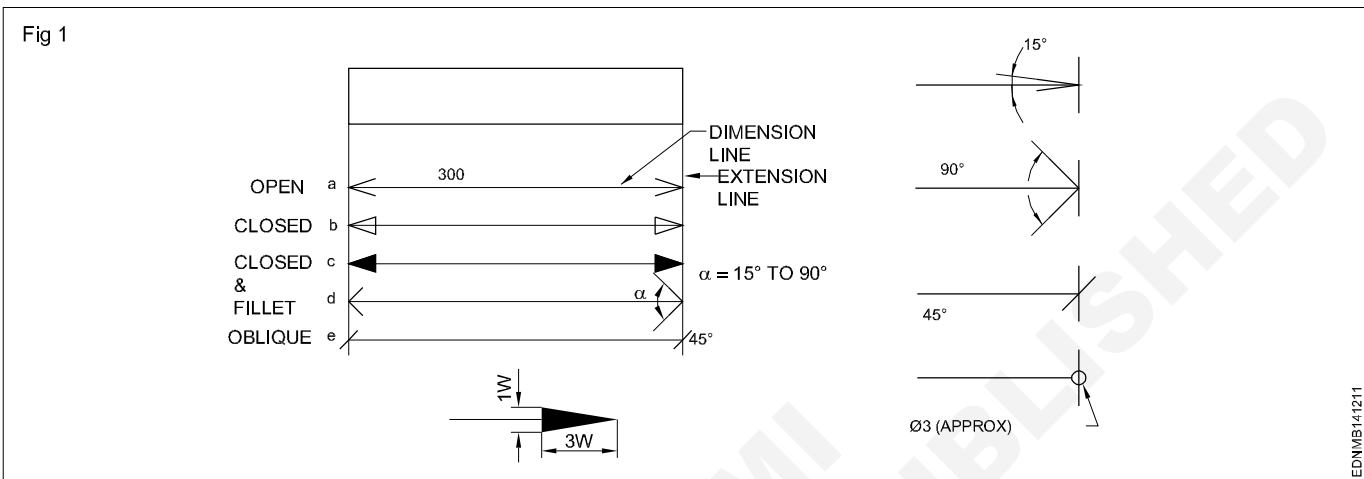
ABCD is the required parallelogram.



Reading of dimension and Dimensioning Practice - Dimensioning

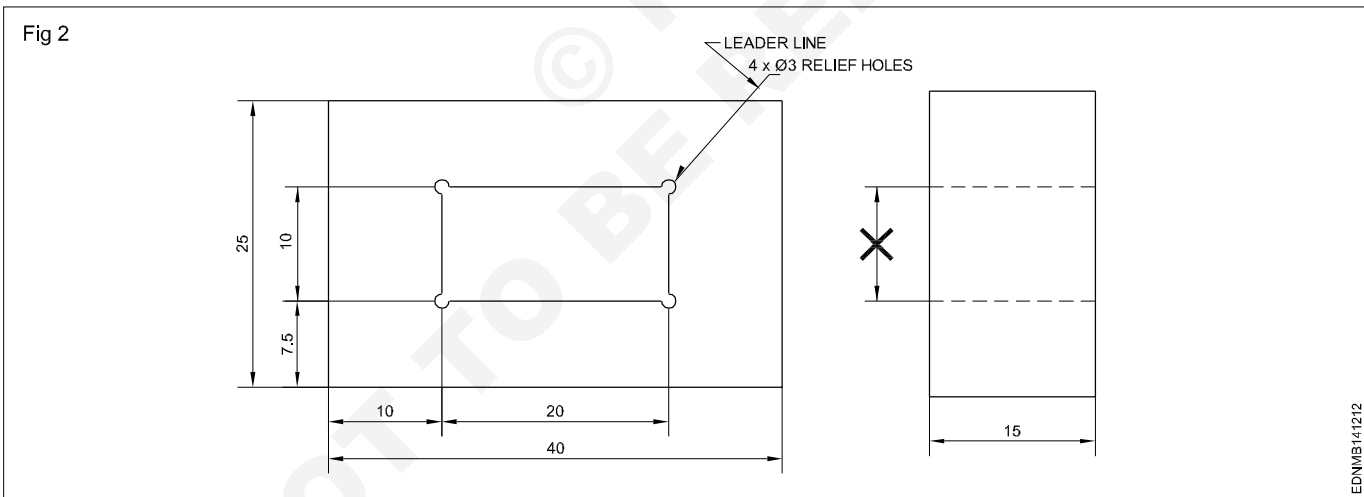
Dimensioning - Types of arrow heads and leader line with text

**Dimension line:** These are thin continuous lines, terminated at ends by arrowheads, dots or oblique lines touching the extension line. (Fig 1)



A dimension line may cut or cross another dimension line where there is no other way.

Dimension to the hidden lines be avoided. (Fig 2)



Arrowheads may be placed outside where space is insufficient.

**Leader line:** It is a thin continuous line. It connects a note or dimension with the features to which it applies. (Fig 2)

**Termination and Origin indication:** The size of the terminations (arrowheads/oblique strokes) shall be proportional to the size of the drawing. Only one style of arrowhead shall be used on a single drawing. However, where the space is too small for the arrowheads, it may be substituted by a dot or by an oblique line. Arrowheads are drawn as short lines forming barbs at any convenient

included angle between  $15^\circ$  and  $90^\circ$ . They may be open, closed or closed and filled in. Oblique strokes are drawn as short lines inclined at  $45^\circ$ . (Fig 1)

**Indicating dimensional values on drawings:** All dimensional values shall be shown on drawings in characters of sufficient size to ensure complete legibility on the original drawings as well as on reproductions made from micro-filming.

They shall be placed in such a way that they are not crossed or separated by any other line on the drawing.

## Dimensioning - Position of dimensioning (aligned, unidirectional)

### Definitions related to dimensioning

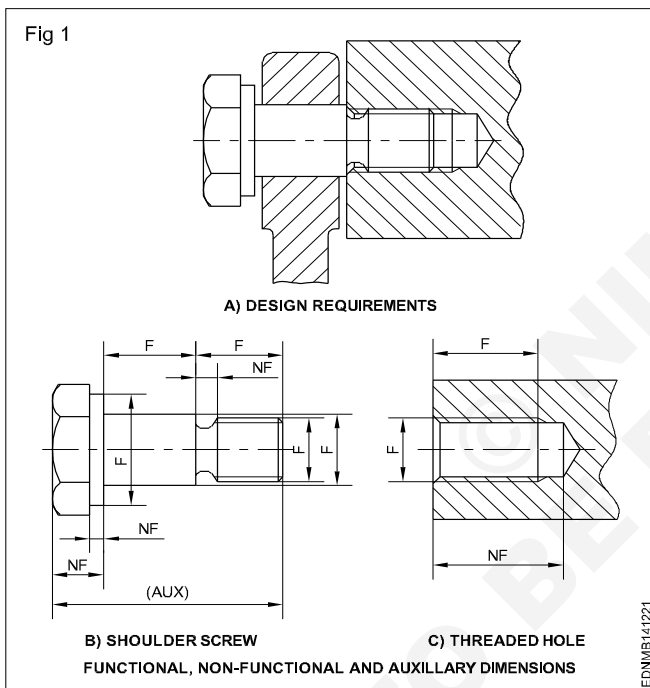
**Dimension:** It is a numerical value expressed as an appropriate unit of measurement and indicated graphically on technical drawings with lines, symbols and notes.

**Dimensions are classified according to the following types:**

**Functional dimension (F):** It is a dimension that is essential to the function of the component or space. They are generally shown with limits. (Fig 1)

**Non-functional dimension (NF):** It is a dimension that is not essential for the function of the component or space.

**Auxiliary or Reference dimension (AUX/REF):** It is the dimension given for information only. It is derived from the values given on the drawing or related documents and it will not be given for production or inspection. (Fig 1)

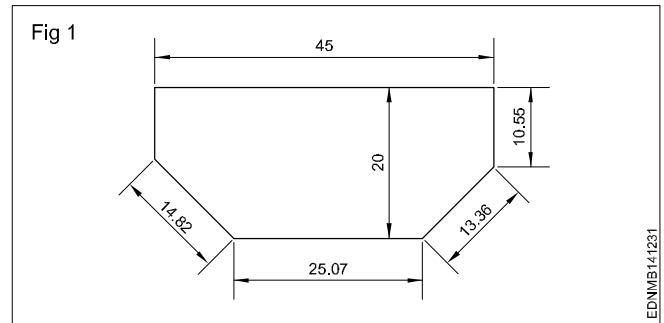


### Methods of indicating values

**Methods of indicating values:** There are two methods used for indicating the values. Only one method should be used on anyone drawing.

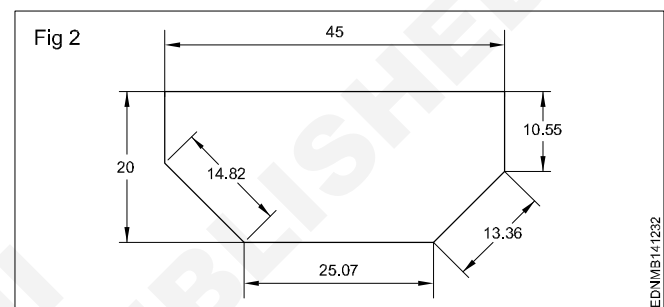
#### Method 1 Aligned system

Dimensional values shall be placed parallel to their dimension lines and preferably near the middle, above and clear of the dimension line. However, values shall be indicated so that they can be read from the bottom of the the right-hand side of the drawing. Dimension lines should not be broken. Dimensioning of angles is also given in the same way. (Fig 1) This method is known as an **aligned system** of dimensioning.

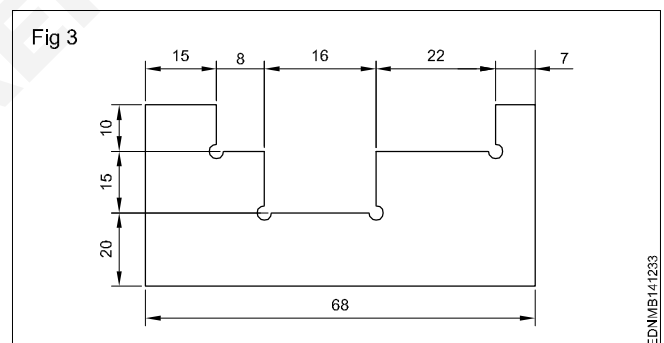


#### Method 2 Unidirectional system

Dimensional values shall be indicated so that they can be read from the bottom of the drawing sheet. Non-horizontal dimension lines are interrupted, preferably near the middle so that the value can be inserted. (Fig 2). This method is termed a **unidirectional system** of dimensioning.



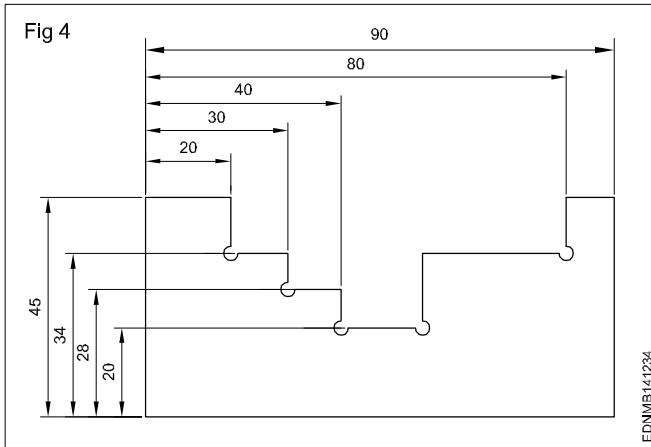
**Chain dimensioning:** It is used where the possible accumulation of tolerances does not infringe (effect) on the functional requirement of the component. (Fig 3)



Dimensioning from a common feature is used where several dimensions of the same direction relate to a common origin.

Dimensioning from a common feature may be executed as parallel dimensioning or as superimposed running dimensioning.

**Parallel dimensioning:** Dimensions of features are taken from one datum/common origin and are shown parallel to another and placed so that the dimensional values can easily be added in Fig 4.

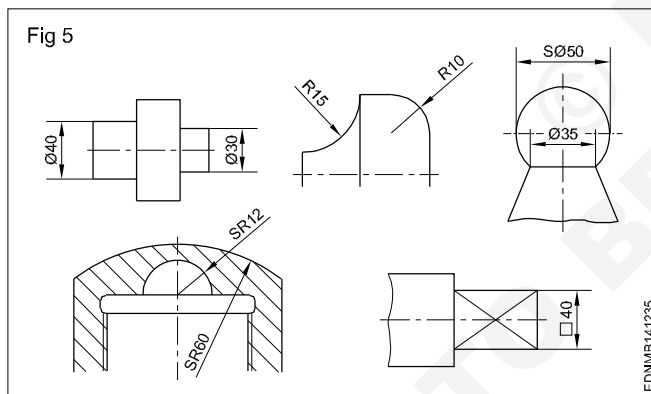


**Dimensioning cylindrical and spherical features:** Cylindrical features have diameter and length whereas sphere has a diameter only.

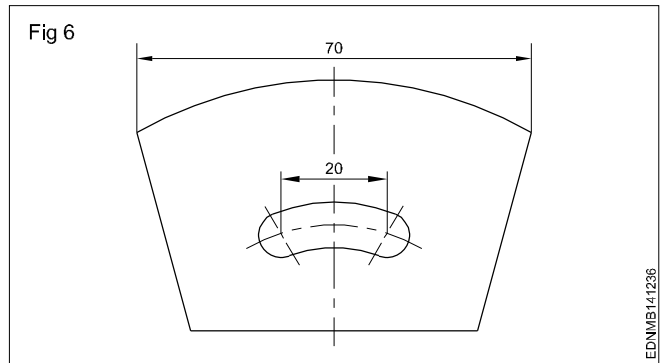
Diameter may be indicated by any one of the abbreviation D, Dia, d, dia or  $\phi$  and radius may be indicated by R, r, Rad or rad by square. Any one abbreviation or symbol on a drawing may be indicated by SQ or  $\square$ .

The length if any required to give along with dia, if it is shown as  $\phi$ ...x... long. (Fig 5)

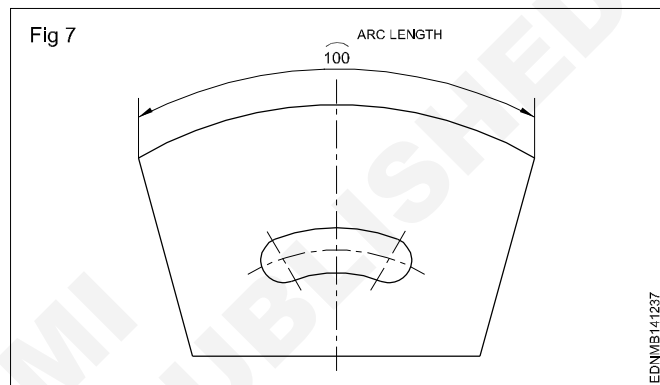
- $\phi$  - Diameter
- R - Radius
- $\square$  - Square
- SR - Spherical radius
- S $\phi$  - Spherical diameter



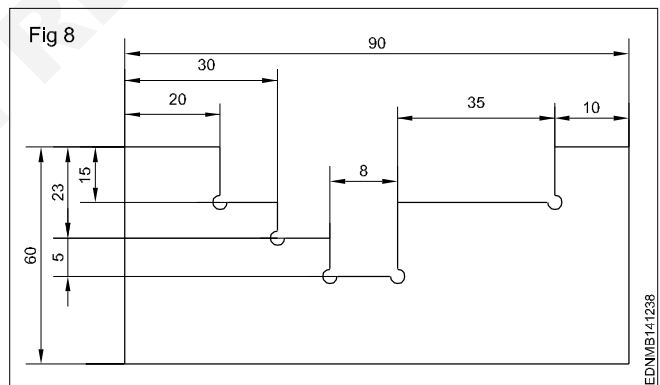
**Dimensioning a chord:** For dimensioning of the chord, refer Fig 6. It is shown as linear size.



**Dimensioning an arc/radius:** A small arc is shown over the dimension value, while dimensioning an arc. (Fig 7)



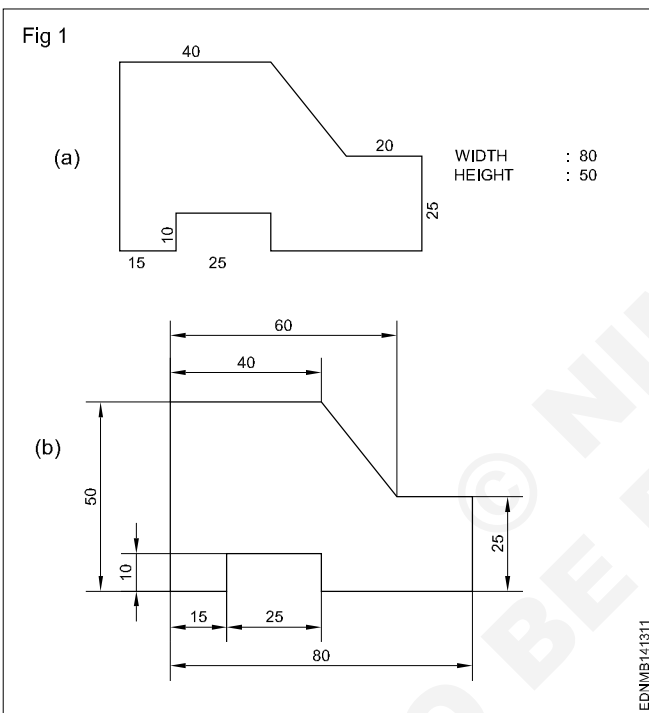
**Combined dimensioning:** Dimensions are given in chain dimensioning and parallel dimensioning. The common feature is combined. (Fig 8)



**Practice of dimensioning**

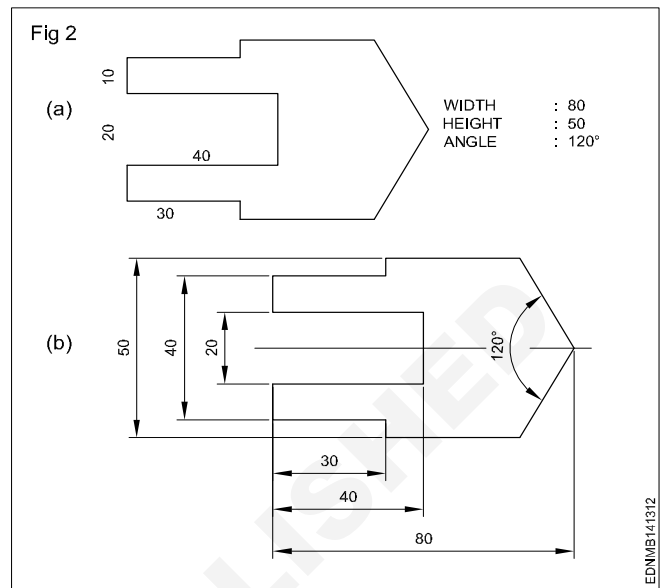
1 To the given drawing of the profile sheet metal as shown in Fig 1, place the dimensions in the aligned system. (Fig 1a)

- Draw the drawing of the sheet metal to 1:1 scale.
- Draw the extension lines in continuation of outlines.
- Draw the dimension lines. (Fig 1b)
- Place the dimension value near the middle and above the dimension line to be read from "bottom and right hand side" of the drawing.



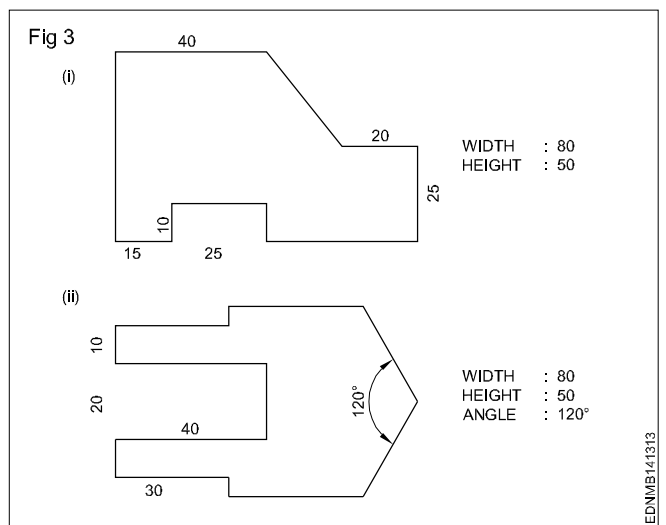
2 To the given drawing of the profile sheet metal as shown in Fig 2a, give the dimensions in the unidirectional system. (Fig 2b)

- Place the horizontal dimensions above and middle of the dimension line without break.
- Break the dimension in the middle of all non-horizontal dimension lines. (Fig 2b)



3 Draw the two sheet metal templates to full scale with appropriate lines use 0.5 range line thickness. (Fig 3)

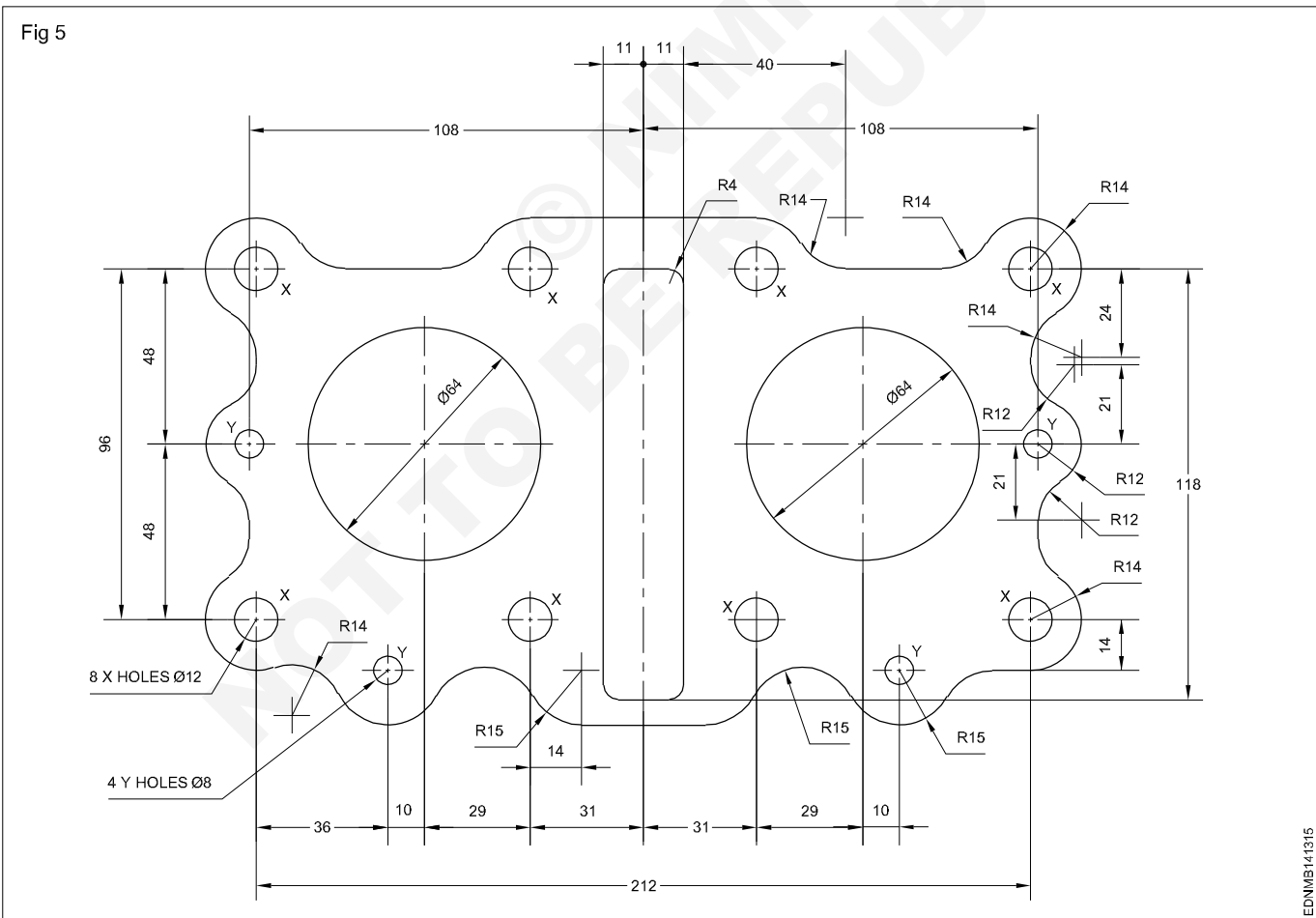
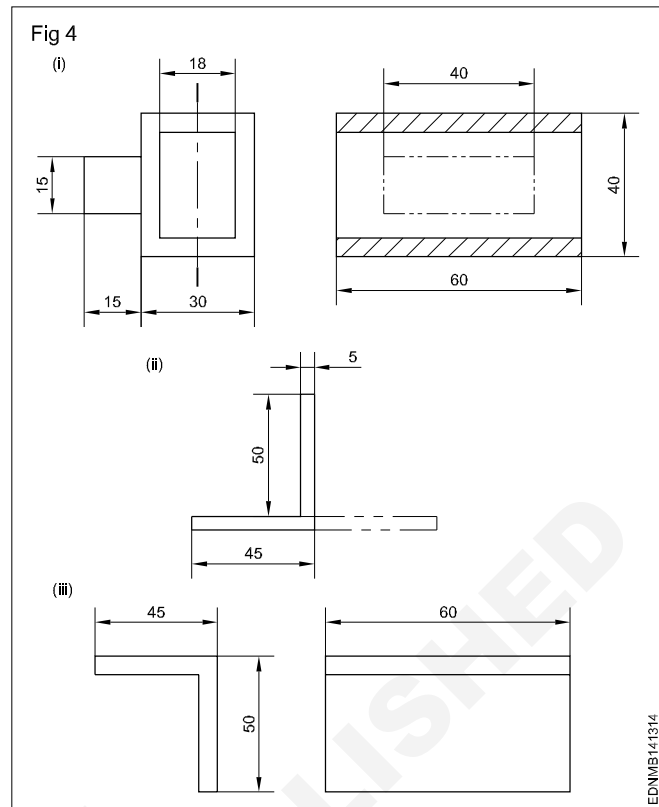
- Draw a rectangular block of length 80 mm and width 50 mm in thin lines.
- Incorporate the features of the template as per the given dimension.
- Draw by thick lines all visible outlines.
- Give dimensions and maintain the line thickness as per the line range (0.5).
- Complete the figure and remove the unwanted lines.



- 4 Draw the figures given. Maintain the types of lines as per the B.I.S and choose correct line thickness. (Fig 4)
- According to the given dimensions, draw the figures given in Fig 4.
  - Select the appropriate lines and maintain uniformity.
  - Remove (erase) unwanted lines, arcs and complete the drawing.

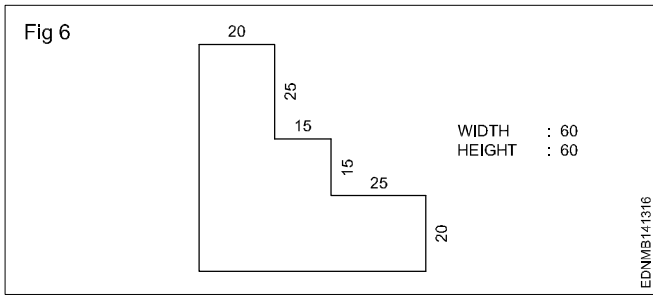
**Note: Draw the dimension line terminations as per IS:11669-1986.**

- 5 The motor cycle engine gasket is shown in figure 5. There are some mistakes in dimensioning. Reproduce the same in the A3/A4 sheet provided and correct the mistakes according to the aligned system of dimensioning. (Fig 5)

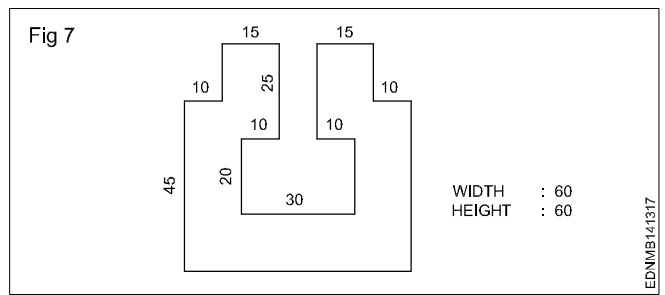




6 Draw the given cover plate and give the dimensions in the aligned system. (Fig 6)



7 Draw the cover plate given in the figure and place the dimensions in the unidirectional system. (Fig 7)



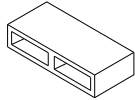
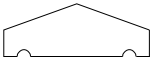
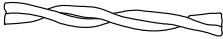


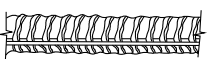






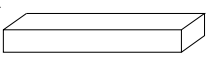
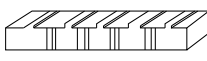

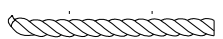

© NIMI  
NOT TO BE REPUBLISHED

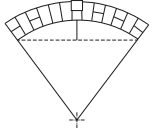
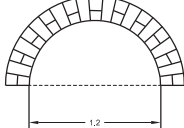
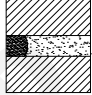
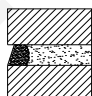
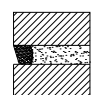
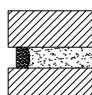
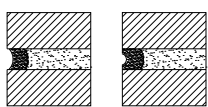
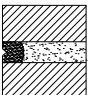
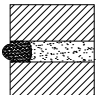
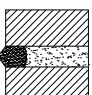
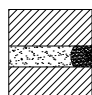
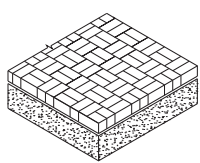
**Symbolic representation - Different symbols used in the related trades**

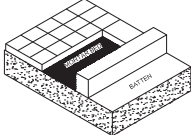
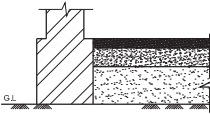
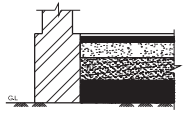
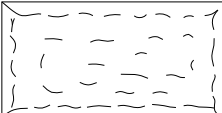

**Sign and symbols for Mason trade**

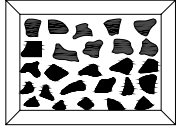
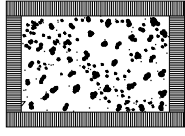
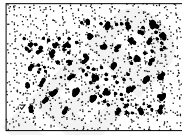

S.No.	Description	Symbol
1	Bricks pilaster - Course A	
2	Bricks pilaster - Course B	
3	Concrete pilaster block - 1	
4	Concrete pilaster block - 2	
5	Bull Nose brick coping	
6	Chamfered brick coping	
7	Stone creasing brick coping	
8	Round brick coping	
9	Saddle back brick coping	
10	Two brick pier on english bond	

S.No.	Description	Symbol
11	Two brick pier on english bond 1,3,5 courses	
12	Two brick pier on english bond 2,4,6 courses	
13	2½ brick pier on english bond	
14	2½ brick pier on english bond 2,4,6 courses	
15	2½ brick pier on english bond 1,3,5 courses	
16	Rounded-ended brick	
17	Cant brick	
18	Double cant brick	
19	Ordinary brick	
20	Bull-nosed brick	
21	Perforated brick	

Sl.No.	Description	Symbol
22	Hollow brick	
23	Coping brick	
24	Twin twisted bars	
25	Ribbed torsteel	
26	Grip bar	
27	Trstrong bar 1&2	
28	Tiscon 42, 12MM, 2 RIBS	
29	Tiscon 42, 12MM, 4 RIBS	
30	Tiscon 42, 20MM, 4 RIBS	
31	Tiscon 50, 12MM, 2 RIBS	
32	Tiscon 50, 20MM, 4 RIBS	
33	Circular bar	
34	Square bar	
35	Square bar with indentations	
36	Twisted bar	
37	Single - square twisted bar	
38	Twin twisted bar	

Sl.No.	Description	Symbol
39	Segmental arch	
40	Semiciucular arch	
41	Flush or flat pointing	
42	Struck pointing	
43	Over head struck pointing	
44	Recessed pointing	
45	Keyed or grooved pointing	
46	VEE pointing	
47	Beaded pointing	
48	Wheather pointing	
49	Tuck pointing	
50	Brick floor	

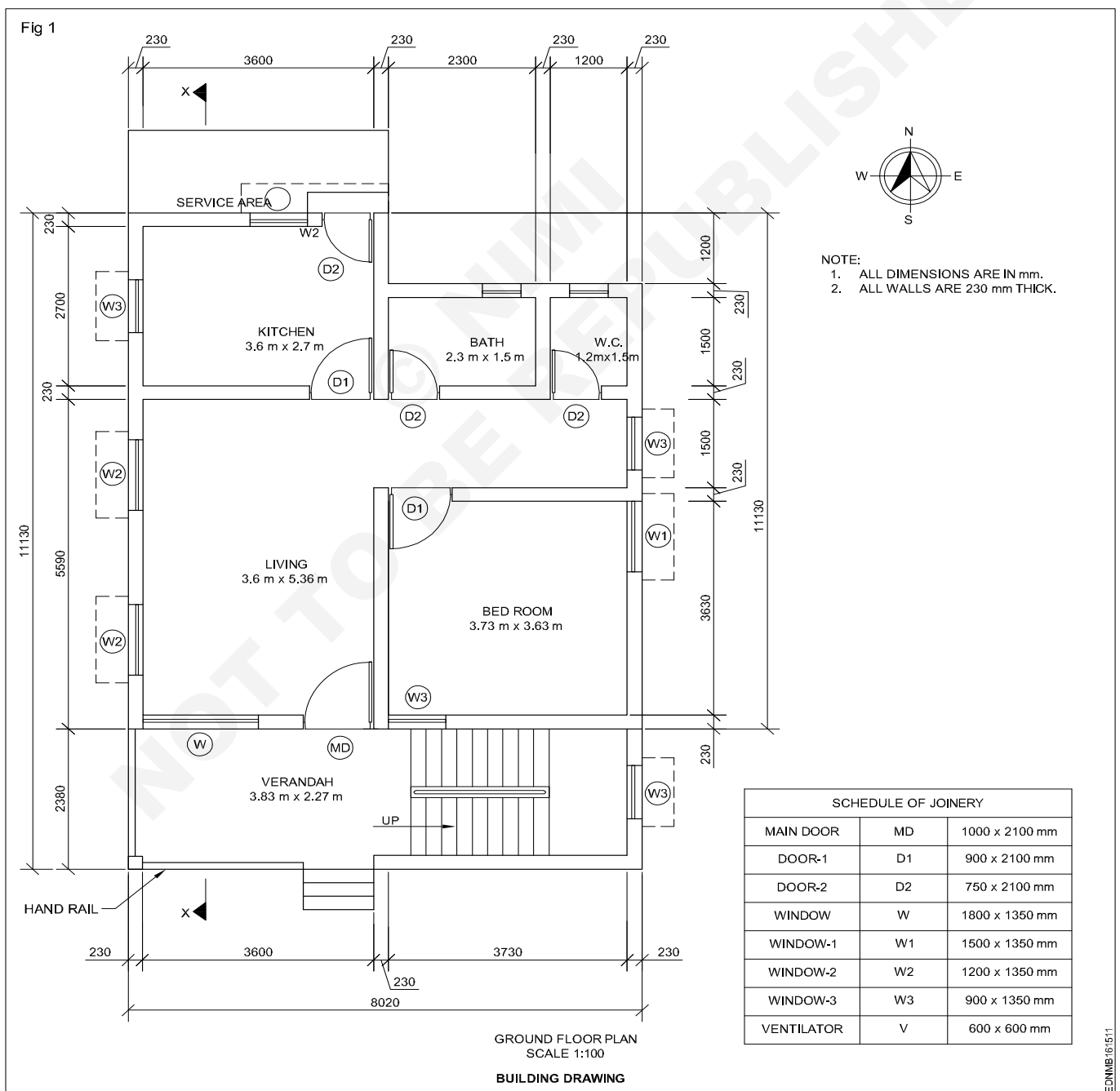
Sl.No.	Description	Symbol
51	Flag stones floor	
52	Cement concrete floor	
53	Mosaic floor	
54	Hammer dressed surface	
55	Rough tooled surface	

Sl.No.	Description	Symbol
56	Reticulated finish	
57	Punched dressing	
58	Picked finish	
59	Vermiculated finish	

**Reading of plan drawing**

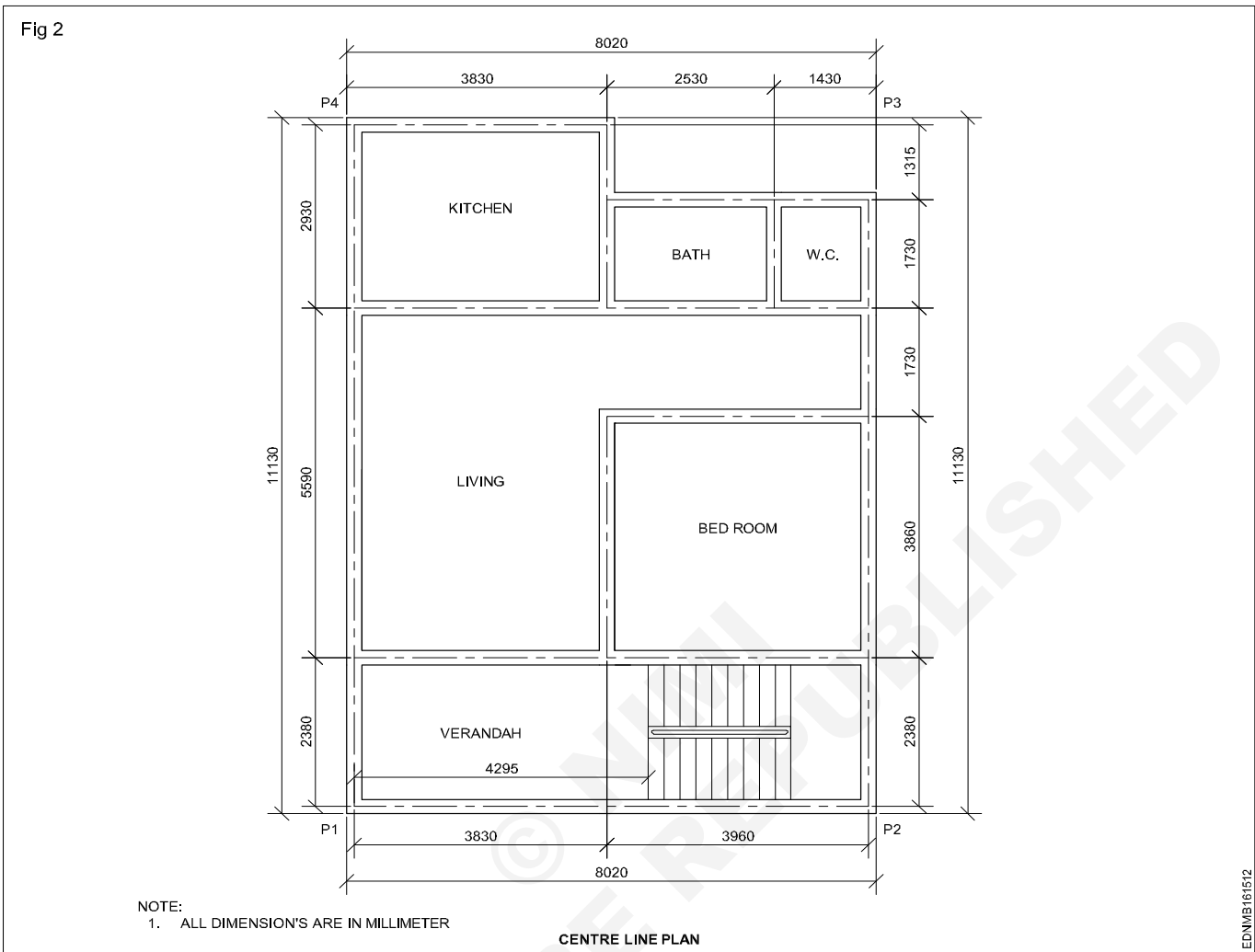
Read and write the following. (Fig 1)

- 1 What is the overall size of the building?
- 2 Thickness of mainwall?
- 3 How many doors are there?
- 4 How many windows are there?
- 5 What is the size of the hall, bedroom and kitchen?
- 6 Which direction kitchen is located?
- 7 Which direction bedroom is located?
- 8 Write the direction of main door?
- 9 What is the minimum frontage measurement from road width?
- 10 Which is reference line for mark the frontage?
- 11 What are the things are required to mark the layout of building?
- 12 How to mark and check all rooms are as parallel?
- 13 How to mark and check all rooms are as square or rectangle?
- 14 What is the use of plump bob during form profiles?
- 15 Write the use of wooden peg?



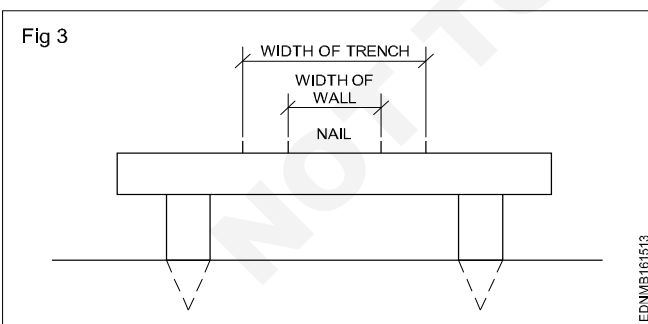
Read and write the following. (Fig 2)

- 1 What activities shown in the figure?
- 2 Write procedure to make centre line plan?



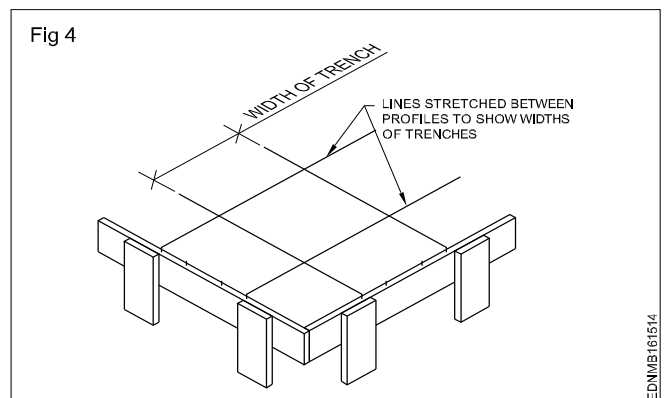
Read and write the following. (Fig 3)

- 1 What activities shown in the figure?



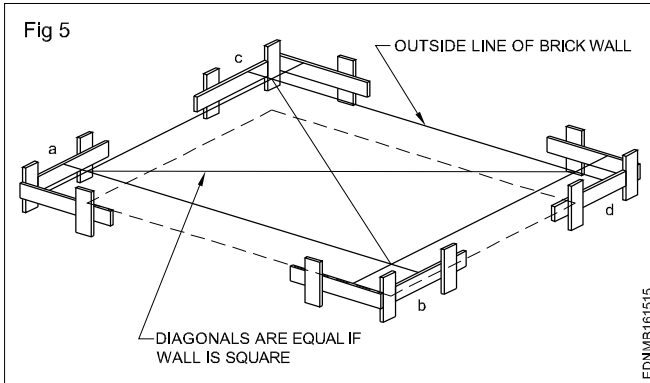
Read and write the following. (Fig 4)

- 1 What activities shown in the figure?



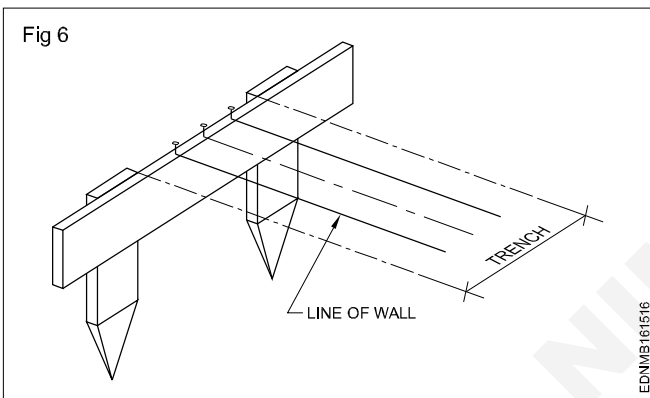
Read and write the following. (Fig 5)

1 What activities shown in the figure?



Read and write the following. (Fig 6)

1 What activities shown in the figure?



Read and write the following. (Fig 7)

1 What activities shown in the figure?

